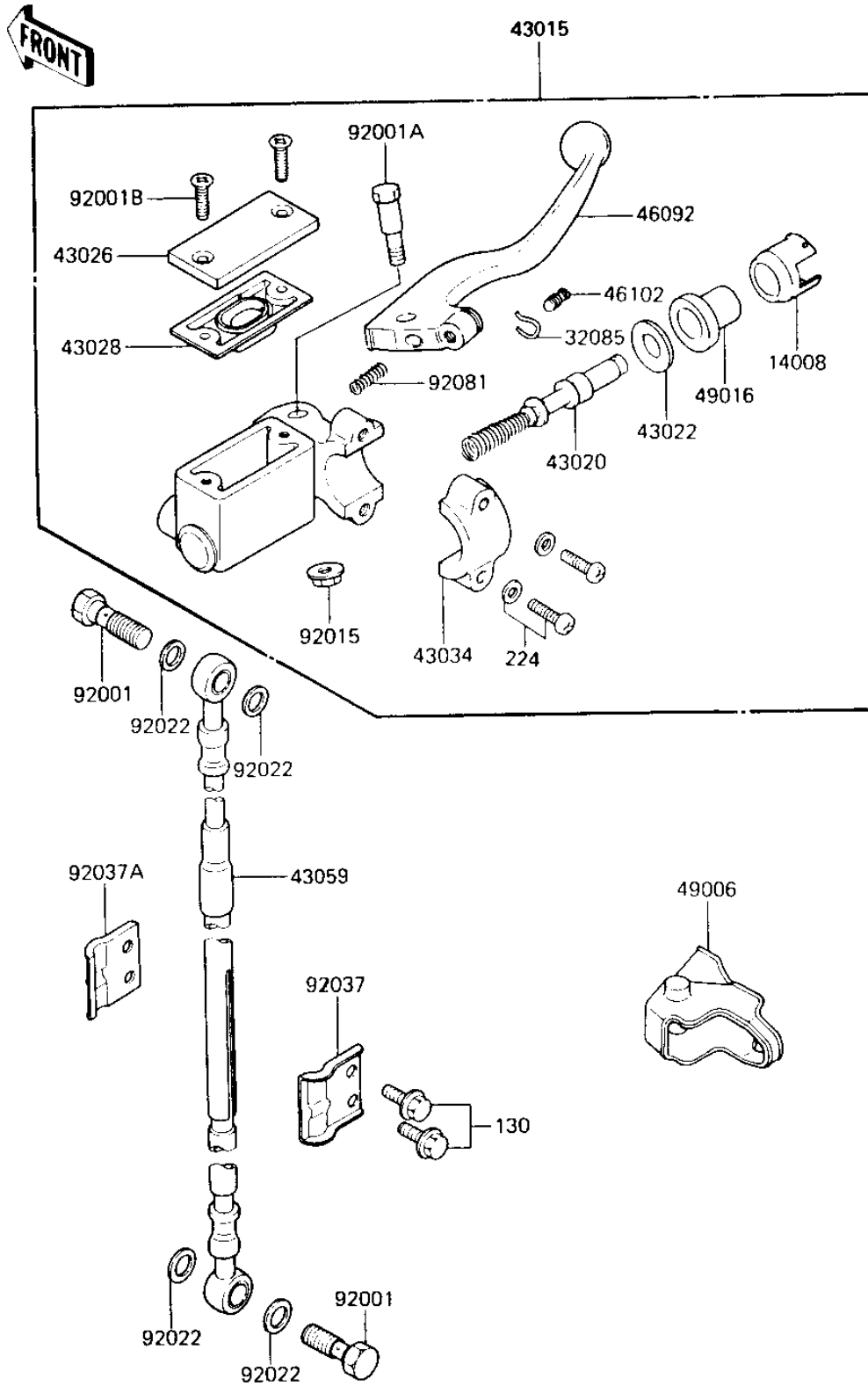


# 1984 KX80 PARTS DIAGRAM

FRONT MASTER CYLINDER ('84 KX80-E2)

F 2271-0000



# 1984 KX80 PARTS LIST

## FRONT MASTER CYLINDER ('84 KX80-E2)

| ITEM NAME                            | PART NUMBER | QUANTITY |
|--------------------------------------|-------------|----------|
| LINER (Ref # 14008)                  | 14008-1030  | 1        |
| STOPPER,BRAKE LEVER R (Ref # 32085)  | 32085-1087  | 1        |
| CYLINDER-ASSY-MASTER (Ref # 43015)   | 43015-1281  | 1        |
| PISTON-COMP-BRAKE (Ref # 43020)      | 43020-1021  | 1        |
| STOPPER-BRAKE (Ref # 43022)          | 43022-1008  | 1        |
| CAP-BRAKE (Ref # 43026)              | 43026-1019  | 1        |
| DIAPHRAGM (Ref # 43028)              | 43028-1030  | 1        |
| HOLDER-BRAKE (Ref # 43034)           | 43034-1012  | 1        |
| HOSE-BRAKE,L=1080 (Ref # 43059)      | 43059-1253  | 1        |
| LEVER-GRIP,BRAKE (Ref # 46092)       | 46092-1108  | 1        |
| ROD,BRAKE LEVER ADJUS (Ref # 46102)  | 46102-1120  | 1        |
| BOOT,BRAKE LEVER (Ref # 49006)       | 49006-1090  | 1        |
| COVER-SEAL (Ref # 49016)             | 49016-1035  | 1        |
| BOLT,OIL,L=23 (Ref # 92001)          | 92002-1888  | 2        |
| BOLT,6X37.3,BLACK (Ref # 92001A)     | 92001-1512  | 1        |
| SCREW-COUNTERSUNK (Ref # 92001B)     | 92001-1532  | 1        |
| NUT,LOCK,6MM,BLACK (Ref # 92015)     | 92015-1191  | 1        |
| WASHER-OIL BOLT (Ref # 92022)        | 43067-001   | 4        |
| CLAMP,BRAKE HOSE,OUTS (Ref # 92037)  | 92037-1362  | 1        |
| CLAMP,BRAKE HOSE,INSI (Ref # 92037A) | 92037-1363  | 1        |
| SPRING,BRAKE LEVER (Ref # 92081)     | 92081-1428  | 1        |
| BOLT-FLANGED,6X16 (Ref # 130)        | 130G0616    | 2        |
| SCREW-PAN-WP-CROS (Ref # 224)        | 224B0625    | 2        |