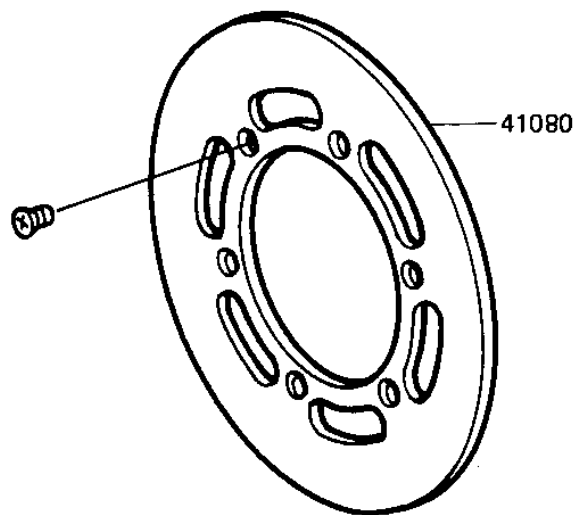
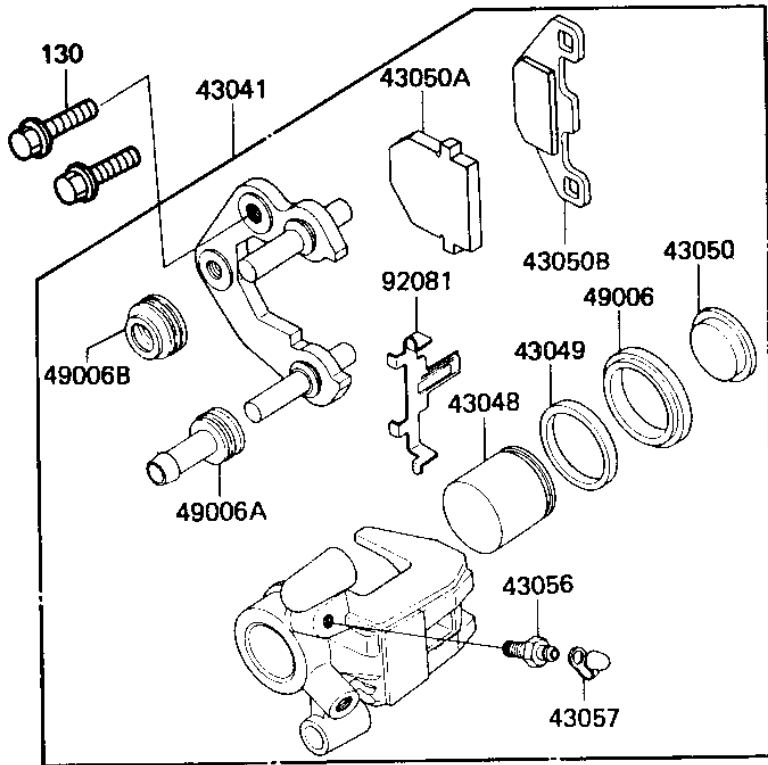


1984 KX80 PARTS DIAGRAM

FRONT BRAKE ('84 KX80-E2)

F2252-0026



1984 KX80 PARTS LIST

FRONT BRAKE ('84 KX80-E2)

| ITEM NAME | PART NUMBER | QUANTITY |
|------------------------------|-------------|----------|
| DISC,FR (Ref # 41080) | 41080-1115 | 1 |
| CALIPER-ASSY (Ref # 43041) | 43041-1166 | 1 |
| PISTON-CALIPER (Ref # 43048) | 43048-1008 | 1 |
| PACKING (Ref # 43049) | 43049-1016 | 1 |
| PAD-BRAKE (Ref # 43050) | 43050-1040 | 1 |
| PAD-BRAKE (Ref # 43050A) | 43050-1043 | 1 |
| PAD-BRAKE (Ref # 43050B) | 43050-1044 | 1 |
| BREEDER (Ref # 43056) | 43056-003 | 1 |
| CAP,BREEDER (Ref # 43057) | 43057-003 | 1 |
| BOOT,CALIPER (Ref # 49006) | 49006-1053 | 1 |
| BOOT,CALIPER (Ref # 49006A) | 49006-1054 | 1 |
| BOOT,CALIPER (Ref # 49006B) | 49006-1055 | 1 |
| SPRING (Ref # 92081) | 92081-1341 | 1 |
| BOLT-FLANGED (Ref # 130) | 130P0835 | 2 |