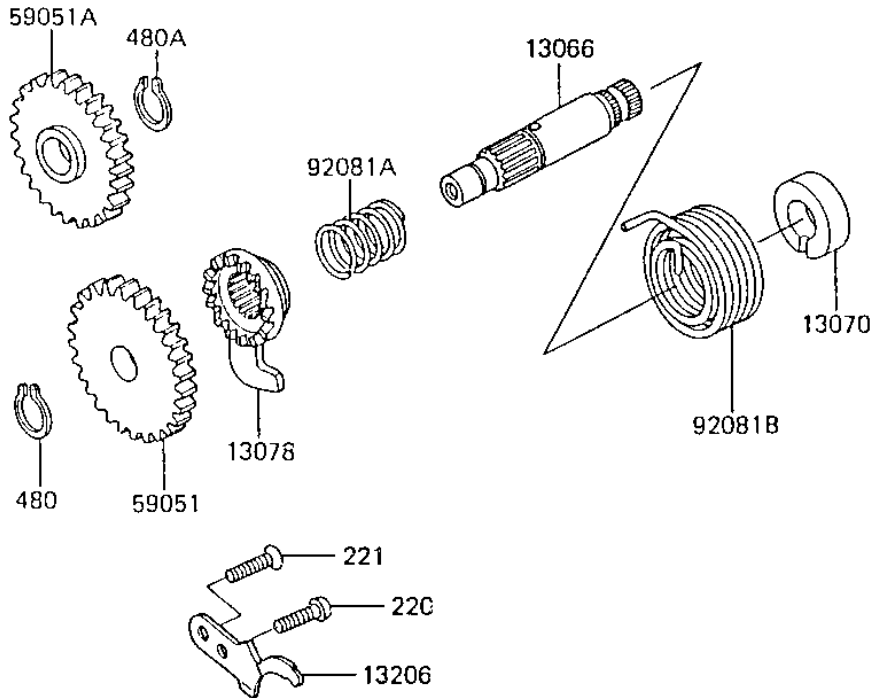
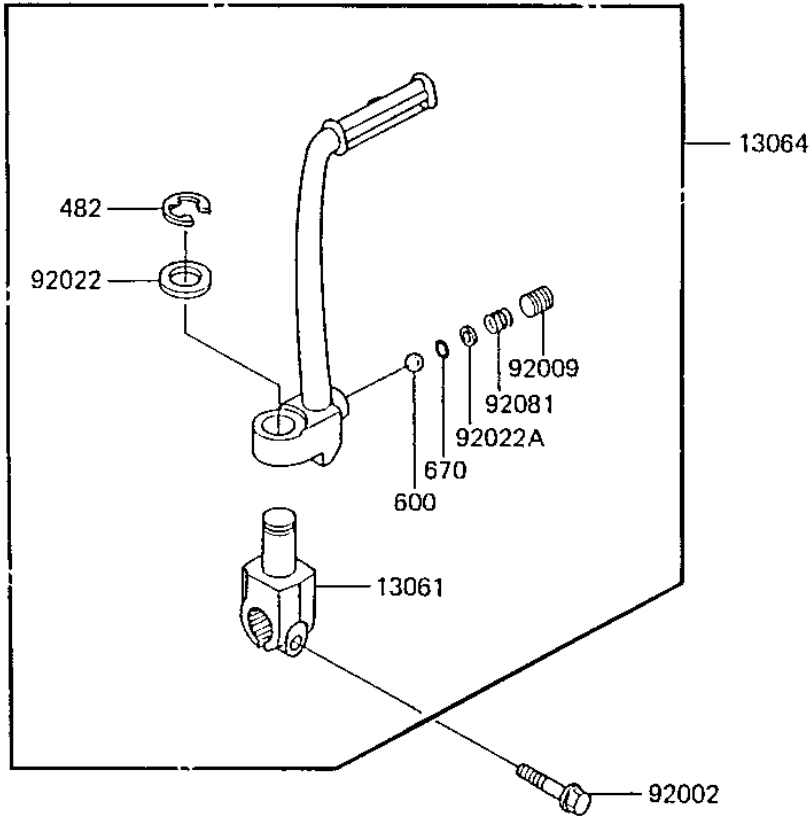


1985 KX80 PARTS DIAGRAM

KICKSTARTER MECHANISM ('85 KX80-E3)

E1340-0047



1985 KX80 PARTS LIST

KICKSTARTER MECHANISM ('85 KX80-E3)

ITEM NAME	PART NUMBER	QUANTITY
BOSS,KICK LEVER (Ref # 13061)	13061-1049	1
LEVER-ASSY-KICK,PEDAL (Ref # 13064)	13064-1116	1
SHAFT-KICK (Ref # 13066)	13066-1055	1
GUIDE,KICK SPRING (Ref # 13070)	13070-1034	1
RATCHET (Ref # 13078)	13078-1004	1
GUIDE-KICK (Ref # 13206)	13206-1053	1
GEAR,KICK,32T (Ref # 59051)	59051-1026	1
GEAR,IDLE,30T (Ref # 59051A)	59051-1027	1
BOLT,6X20 (Ref # 92002)	92002-1237	1
SCREW (Ref # 92009)	92009-1312	1
WASHER,12.2X20X1.6 (Ref # 92022)	92022-1236	1
WASHER,3X6,5X0.8 (Ref # 92022A)	92022-1481	1
SPRING KICK PEDAL (Ref # 92081)	92081-020	1
SPRING,RATCHET (Ref # 92081A)	92081-122	1
SPRING,KICK (Ref # 92081B)	92081-1434	1
SCREW PAN HEAD 6X16 (Ref # 220)	220B0616	1
SCREW 6X18 (Ref # 221)	221B0618	1
CIRCLIP 12MM (Ref # 480)	480J1200	1
CIRCLIP 15MM (Ref # 480A)	480J1500	1
CIRCRIP-TYPE-E (Ref # 482)	482K8000	1
BALL STEEL 1/4' (Ref # 600)	600A0800	1
"O" RING,4MM (Ref # 670)	670B1504	1