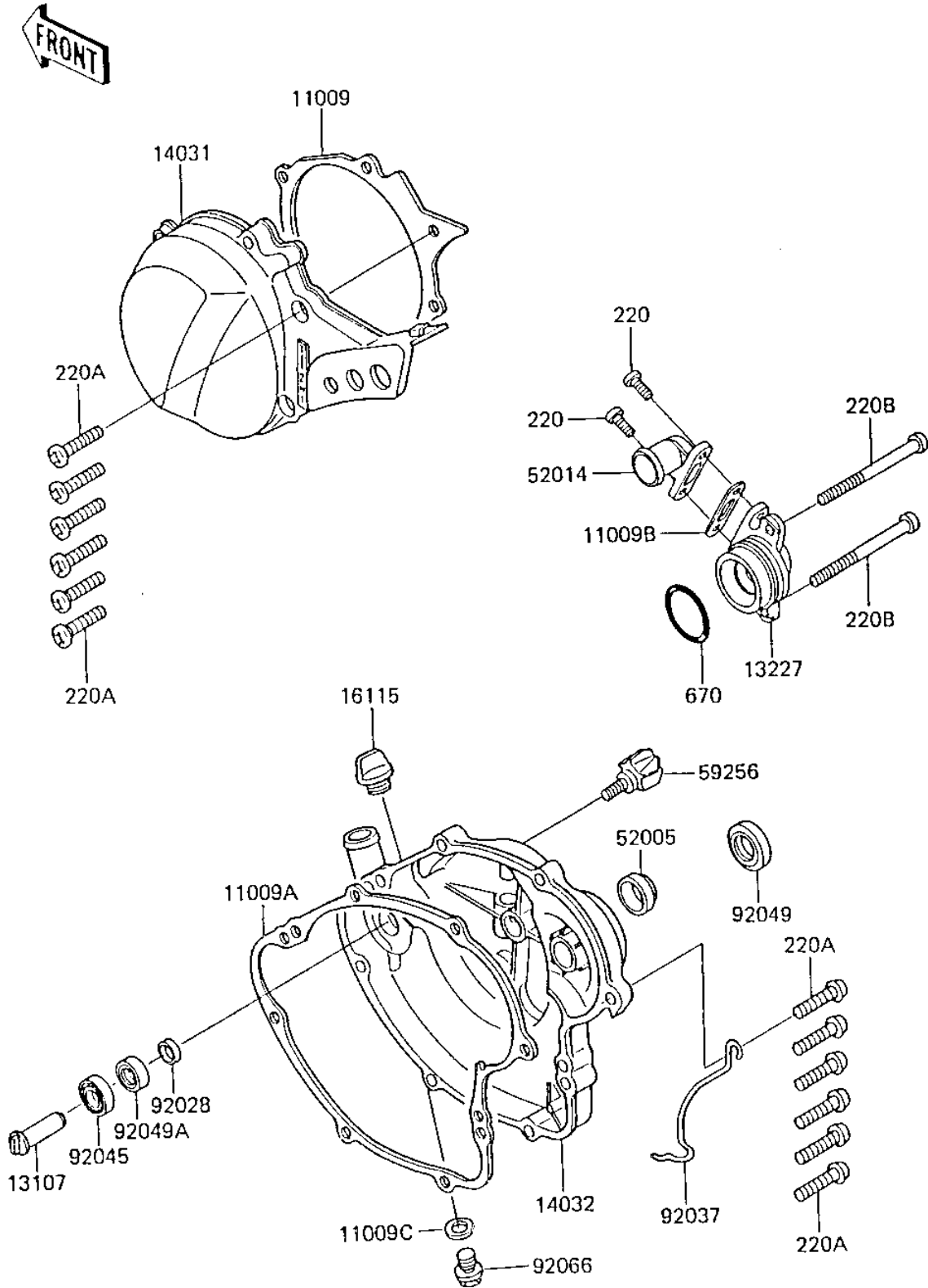


1984 KX80 PARTS DIAGRAM

ENGINE COVERS/WATER PUMP ('85 KX80-E3)

E1431-0160



1984 KX80 PARTS LIST

ENGINE COVERS/WATER PUMP ('85 KX80-E3)

ITEM NAME	PART NUMBER	QUANTITY
GASKET,GENERATOR COVE (Ref # 11009)	11009-1974	1
GASKET,CLUTCH COVER (Ref # 11009A)	11009-1976	1
GASKET,ELBOW (Ref # 11009B)	11009-1952	1
GASKET CHECK VALVE (Ref # 11009C)	92065-058	1
SHAFT,WATER PUMP (Ref # 13107)	13107-1123	1
HOUSING,WATER PUMP (Ref # 13227)	13227-1053	1
COVER-GENERATOR (Ref # 14031)	14031-1185	1
COVER-CLUTCH (Ref # 14032)	14032-1196	1
FILLER,OIL (Ref # 16115)	16115-018	1
GAUGE,OIL LEVEL (Ref # 52005)	52005-1055	1
ELBOW (Ref # 52014)	52014-5001	1
IMPELLER,WATER PUMP (Ref # 59256)	59256-1052	1
BUSHING (Ref # 92028)	92028-1317	1
CLAMP (Ref # 92037)	92037-1236	1
BEARING-BALL (Ref # 92045)	92045-1212	1
OIL SEAL SB16244 (Ref # 92049)	92049-002	1
SEAL-OIL,MHSD8X18X10J (Ref # 92049A)	92049-1366	1
PLUG (Ref # 92066)	92066-1241	1
SCREW-PAN-CROSS,5X14 (Ref # 220)	220C0514	2
SCREW-PAN-CROS,6X25,B (Ref # 220A)	220C0625	12
SCREW-PAN-CROS (Ref # 220B)	220C0675	2
O RING,39MM (Ref # 670)	670B3039	1