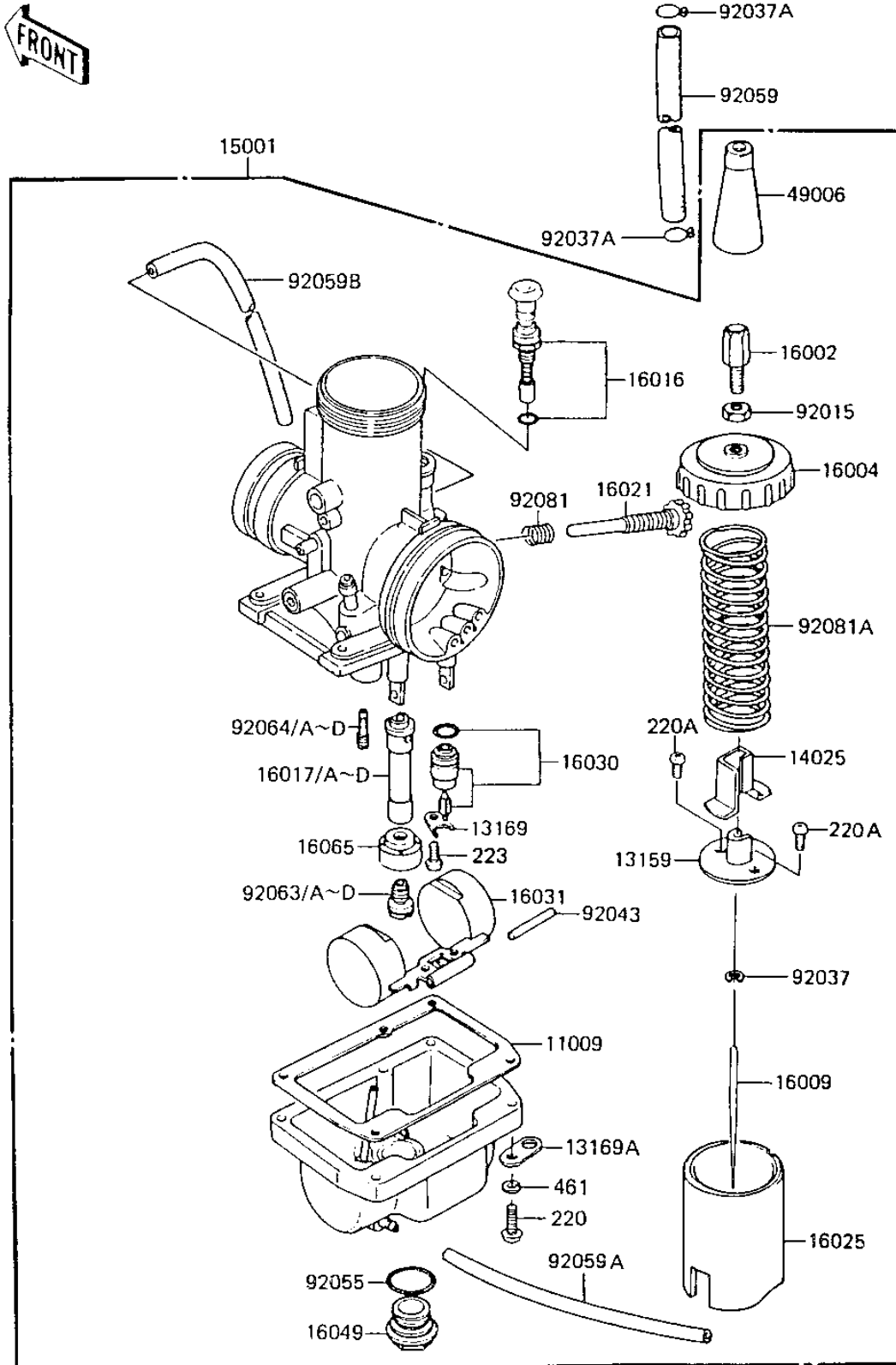


1985 KX80 PARTS DIAGRAM

CARBURETOR ('85 KX80-E3)

E1011-0110



1985 KX80 PARTS LIST

CARBURETOR ('85 KX80-E3)

ITEM NAME	PART NUMBER	QUANTITY
GASKET,FLOAT CHAMBER (Ref # 11009)	11009-1178	1
CONNECTOR,THROTTLE (Ref # 13159)	13159-1010	1
PLATE, LOCK (Ref # 13169)	13169-1190	1
PLATE,TUBE CLAMP (Ref # 13169A)	13169-1226	1
COVER,THROTTLE VALVE (Ref # 14025)	14025-1494	1
CARBURETOR-ASSY (Ref # 15001)	15001-1108	1
ADJUSTER,CABLE (Ref # 16002)	16002-017	1
CAP,MIXING CHAMBER (Ref # 16004)	16004-025	1
NEEDLE-JET,6EJ3 (Ref # 16009)	16009-1223	1
PLUNGER ASSY,STARTER (Ref # 16016)	16016-1013	1
JET-NEEDLE,P-2 (Ref # 16017)	16017-1223	1
JET-NEEDLE,P-6 (Ref # 16017A)	16017-1224	1
JET-NEEDLE,P-4 (Ref # 16017B)	16017-1225	1
JET-NEEDLE,P-0 (Ref # 16017C)	16017-1226	1
JET-NEEDLE,0-8 (Ref # 16017D)	16017-1227	1
SCREW-THROTTLE STOP (Ref # 16021)	16021-1047	1
VALVE-THROTTLE,C.A 2. (Ref # 16025)	16025-1110	1
FLOAT VALVE ASSY,2.5 (Ref # 16030)	16030-1013	1
FLOAT (Ref # 16031)	16031-1011	1
COVER,MAIN JET (Ref # 16049)	16049-1003	1
HOLDER,MAIN JET RING (Ref # 16065)	16065-1033	1
CAP,CARBURETOR (Ref # 49006)	16036-007	1
NUT-CABLE ADJUST LOCK (Ref # 92015)	16003-006	2
CIRCLIP (Ref # 92037)	16008-010	1
CLAMP-PIPE (Ref # 92037A)	92037-072	2
FLOAT PIN (Ref # 92043)	16032-003	1
"O" RING (Ref # 92055)	92055-1076	1
TUBE,5.3X10.5X150 (Ref # 92059)	92059-1129	1
TUBE,3X5X250,BLACK (Ref # 92059A)	92059-1308	1

1985 KX80 PARTS LIST

CARBURETOR ('85 KX80-E3)

ITEM NAME	PART NUMBER	QUANTITY
TUBE,3X5X250,BLACK (Ref # 92059B)	92059-1308	1
JET-MAIN NO 180A (Ref # 92063)	92063-020	1
JET-MAIN NO 190A (Ref # 92063A)	92063-021	1
JET-MAIN NO 200A (Ref # 92063B)	92063-022	1
JET-MAIN NO 210A (Ref # 92063C)	92063-023	1
JET-MAIN NO 220A (Ref # 92063D)	92063-024	1
JET-PILOT NO 30 (Ref # 92064)	92064-022	1
JET-PILOT NO 35 (Ref # 92064A)	92064-023	1
JET-PILOT NO 40 (Ref # 92064B)	92064-024	1
JET-PILOT NO 25 (Ref # 92064C)	92064-032	1
JET-PILOT,#27.5 (Ref # 92064D)	92064-1033	1
SPRING (Ref # 92081)	92081-1417	1
SPRING,THROTTLE VALVE (Ref # 92081A)	92081-1724	1
SCREW PAN HEAD 4X16 (Ref # 220)	220B0416	4
SCREW-PAN-CROS (Ref # 220A)	220C0308	2
SCREW-PAN-WS-CROS (Ref # 223)	223B0408	1
WASHER SPRING 4MM (Ref # 461)	461F0400	4