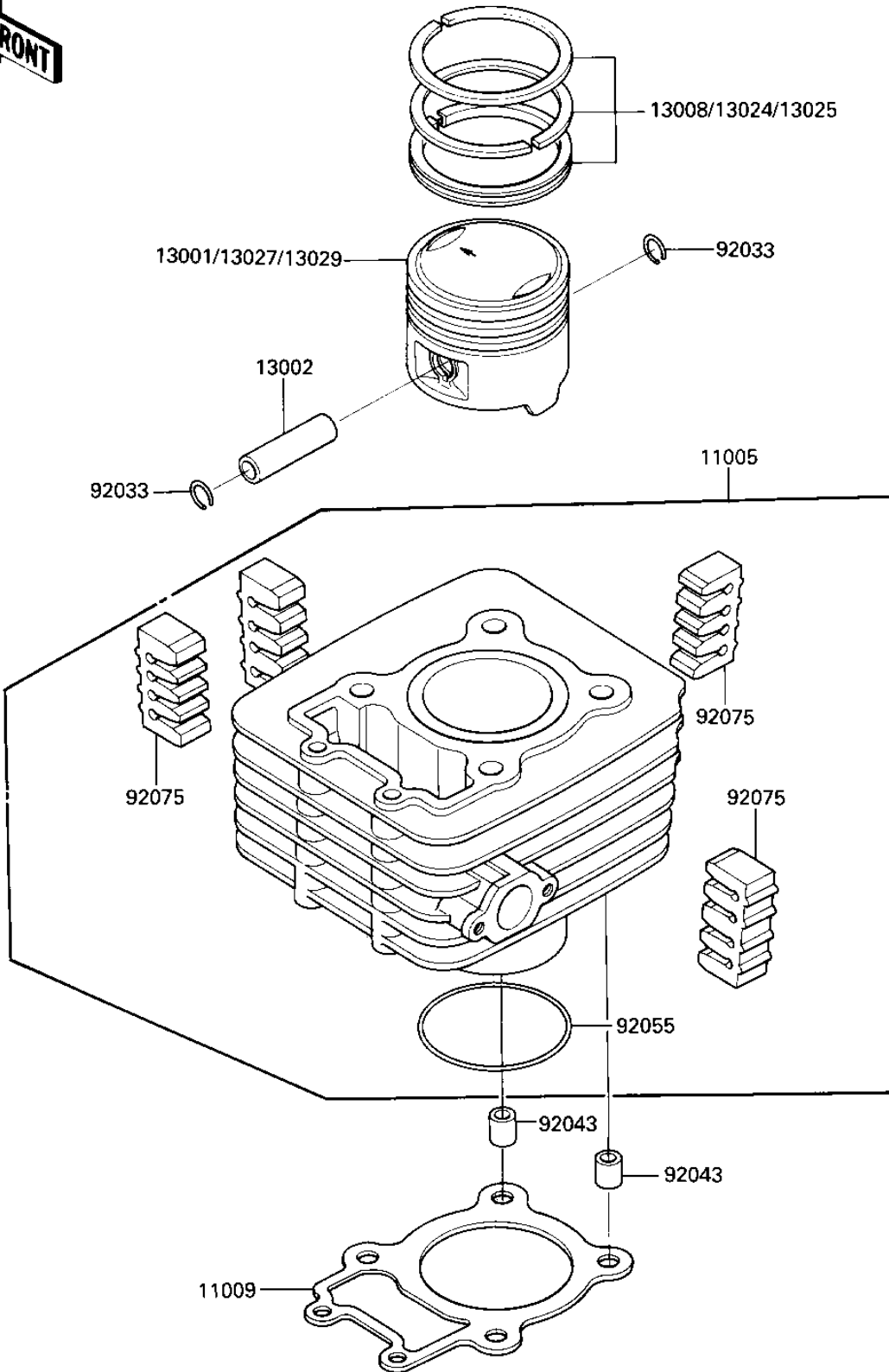


1985 KLT160 PARTS DIAGRAM

CYLINDER/PISTON

E1120-0066



1985 KLT160 PARTS LIST

CYLINDER/PISTON

| ITEM NAME | PART NUMBER | QUANTITY |
|-------------------------------------|-------------|----------|
| CYLINDER-ENGINE (Ref # 11005) | 11005-1354 | 1 |
| GASKET,CYLINDER BASE (Ref # 11009) | 11009-1392 | 1 |
| PISTON-ENGINE,STD (Ref # 13001) | 13001-1176 | 1 |
| PIN-PISTON (Ref # 13002) | 13002-1008 | 1 |
| RING-SET-PISTON,STD (Ref # 13008) | 13008-1057 | 1 |
| RING-SET PISTON LL,O/ (Ref # 13024) | 13024-1057 | 1 |
| RING-SET PISTON L,O/S (Ref # 13025) | 13025-1057 | 1 |
| PISTON-ENGINE LL,O/S, (Ref # 13027) | 13027-1122 | 1 |
| PISTON-ENGINE L,O/S,0 (Ref # 13029) | 13029-1121 | 1 |
| RING-SNAP,PISTON PIN (Ref # 92033) | 92033-1151 | 2 |
| PIN,DOWEL,10X8.2X14 (Ref # 92043) | 92043-1037 | 2 |
| "O" RING,67.5MM (Ref # 92055) | 92055-1035 | 1 |
| DAMPER (Ref # 92075) | 92075-1657 | 4 |