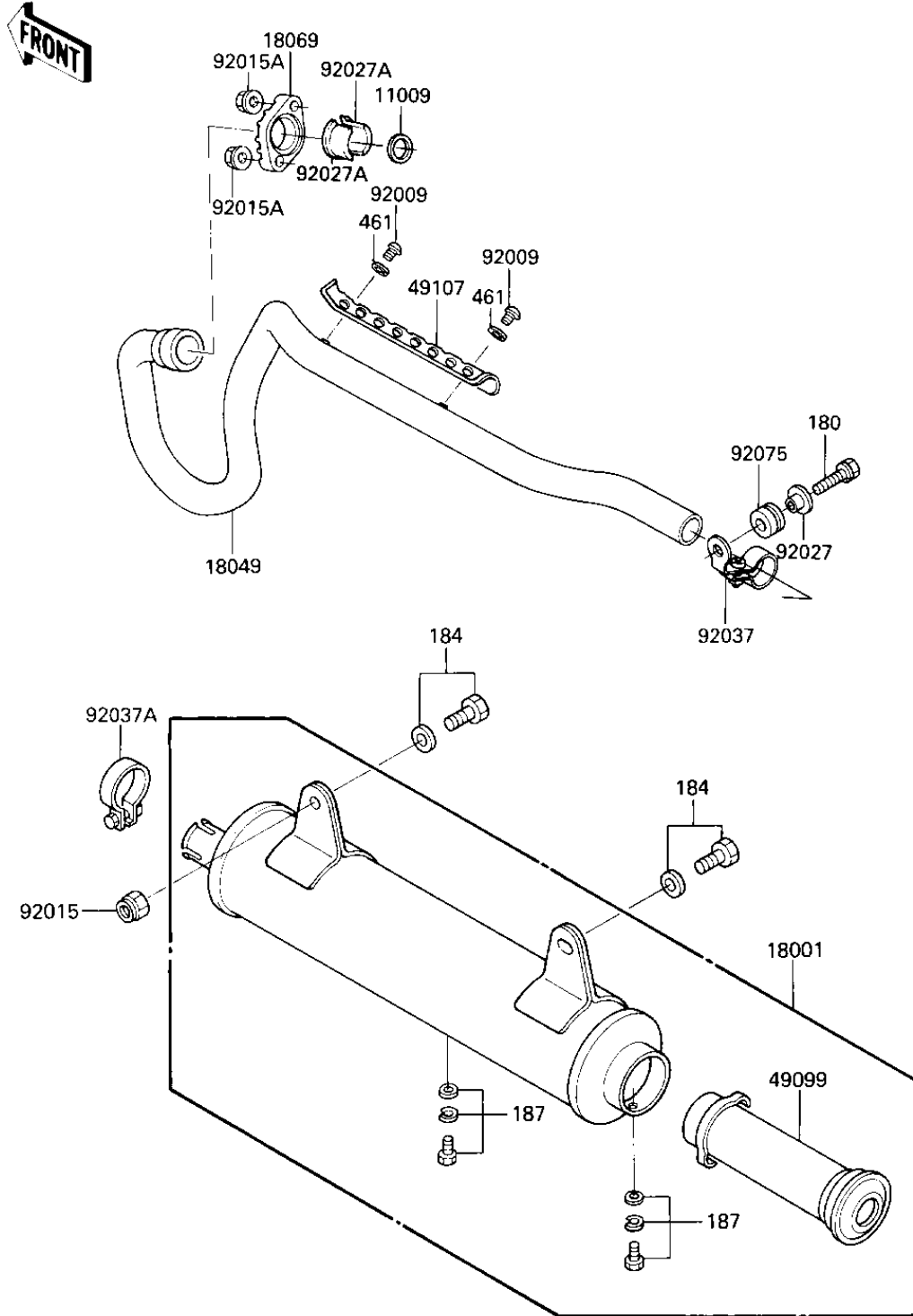


# 1985 KLT160 PARTS DIAGRAM

MUFFLER

E1140-0209



# 1985 KLT160 PARTS LIST

## MUFFLER

| ITEM NAME                           | PART NUMBER | QUANTITY |
|-------------------------------------|-------------|----------|
| GASKET,EXHAUST PIPE H (Ref # 11009) | 11009-1866  | 1        |
| MUFFLER,F.BLACK (Ref # 18001)       | 18001-1555  | 1        |
| PIPE-EXHAUST,F.BLACK (Ref # 18049)  | 18049-1281  | 1        |
| HOLDER,EXHAUST PIPE (Ref # 18049)   | 18069-1006  | 1        |
| BAFFLE-PIPE MUFFLER (Ref # 49099)   | 49099-1223  | 1        |
| COVER-EXHAUST PIPE (Ref # 49107)    | 49107-1055  | 1        |
| SCREW,6X6.7,BLACK (Ref # 92009)     | 92009-1285  | 2        |
| NUT,U,8MM,BLACK (Ref # 92015)       | 92015-1205  | 1        |
| NUT,6MM (Ref # 92015A)              | 92015-1365  | 2        |
| COLLAR (Ref # 92027)                | 92027-1045  | 1        |
| COLLAR,EXHAUST PIPE (Ref # 92027A)  | 92027-1142  | 2        |
| CLAMP,EXHAUST PIPE (Ref # 92037)    | 92037-1583  | 1        |
| CLAMP (Ref # 92037A)                | 92037-1650  | 1        |
| DAMPER RUBBER (Ref # 92075)         | 92075-277   | 1        |
| BOLT-UPSET-WS (Ref # 180)           | 180C0622    | 1        |
| BOLT-UPSET-WP-SMALL (Ref # 184)     | 184J0820    | 2        |
| BOLT-UPSET-WSP (Ref # 187)          | 187C0612    | 2        |
| WASHER-SPRING,6MM,BLA (Ref # 461)   | 461K0600    | 2        |