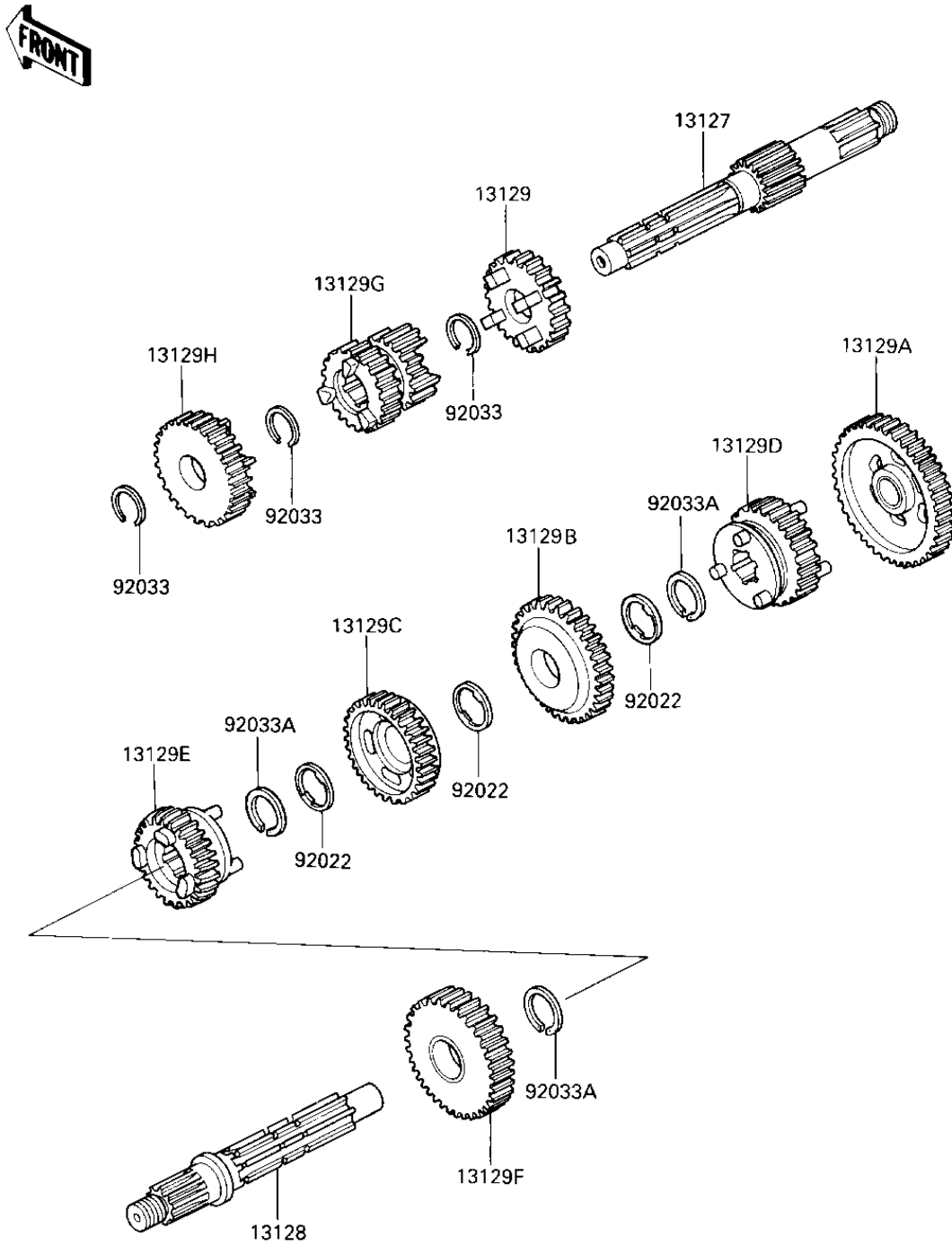


1985 KLT160 PARTS DIAGRAM

TRANSMISSION

E1361-0144



1985 KLT160 PARTS LIST

TRANSMISSION

ITEM NAME	PART NUMBER	QUANTITY
SHAFT-TRANSMISSION IN (Ref # 13127)	13127-1109	1
SHAFT-TRANSMISSION OU (Ref # 13128)	13128-1106	1
GEAR,INPUT 4TH,26T (Ref # 13129)	13129-1541	1
GEAR,OUTPUT LOW,40T (Ref # 13129A)	13129-1543	1
GEAR,OUTPUT 2ND,35T (Ref # 13129B)	13129-1544	1
GEAR,OUTPUT 3RD,30T (Ref # 13129C)	13129-1545	1
GEAR,OUTPUT 4TH,28T (Ref # 13129D)	13129-1546	1
GEAR,OUTPUT TOP,26T (Ref # 13129E)	13129-1547	1
GEAR,REVERSE,33T (Ref # 13129F)	13129-1548	1
GEAR-INPUT 2ND,23T&19 (Ref # 13129G)	13129-1673	1
GEAR,INPUT TOP,28T (Ref # 13129H)	13129-1674	1
WASHER,LOCK (Ref # 92022)	92024-059	3
CIRCLIP (Ref # 92033)	92033-028	3
CIRCLIP,18MM (Ref # 92033A)	92033-029	3