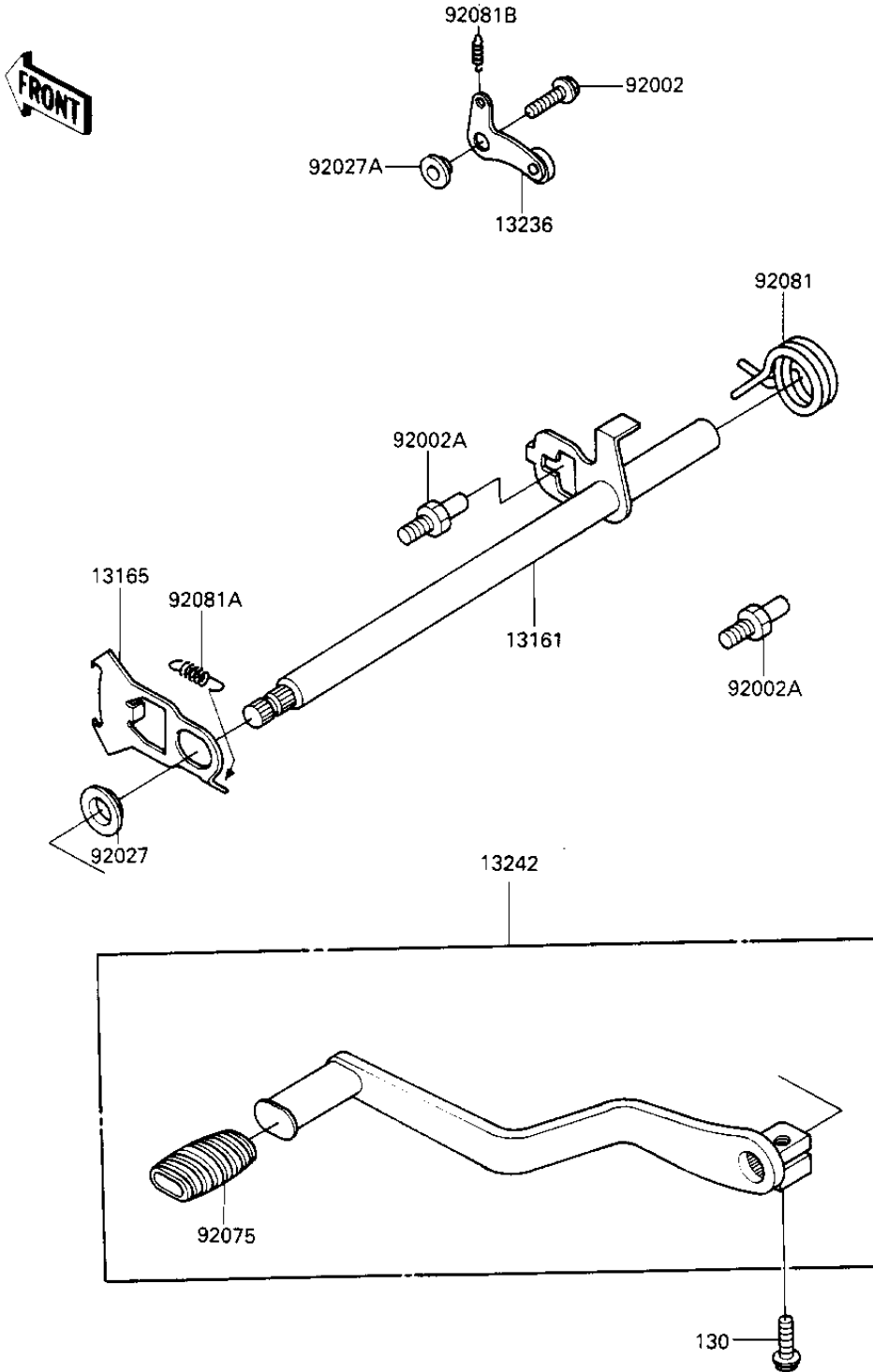


# 1985 KLT160 PARTS DIAGRAM

## GEAR CHANGE MECHANISM

E1370-0133



# 1985 KLT160 PARTS LIST

## GEAR CHANGE MECHANISM

ITEM NAME	PART NUMBER	QUANTITY
LEVER-COMP-CHANGE SHA (Ref # 13161)	13161-1110	1
PAWL,CHANGE LEVER (Ref # 13165)	13165-1112	1
LEVER-COMP,CHANGE DRU (Ref # 13236)	13236-1104	1
LEVER-ASSY-CHANGE,PED (Ref # 13242)	13242-1168	1
BOLT,6X20 (Ref # 92002)	92002-1237	1
BOLT,RETURN SPRING (Ref # 92002A)	92002-1408	2
COLLAR,CHANGE SHAFT,L (Ref # 92027)	92027-1512	1
COLLAR,L=5.2 (Ref # 92027A)	92027-1716	1
DAMPER,FUEL TANK (Ref # 92075)	92075-1716	1
SPRING,CHANGE SHAFT R (Ref # 92081)	92081-1684	1
SPRING,CHANGE LEVER (Ref # 92081A)	92081-1753	1
SPRING,CHNG DRUM LEV (Ref # 92081B)	92083-012	1
BOLT-FLANGED 6X20, BLACK (Ref # 130)	130S0620	1