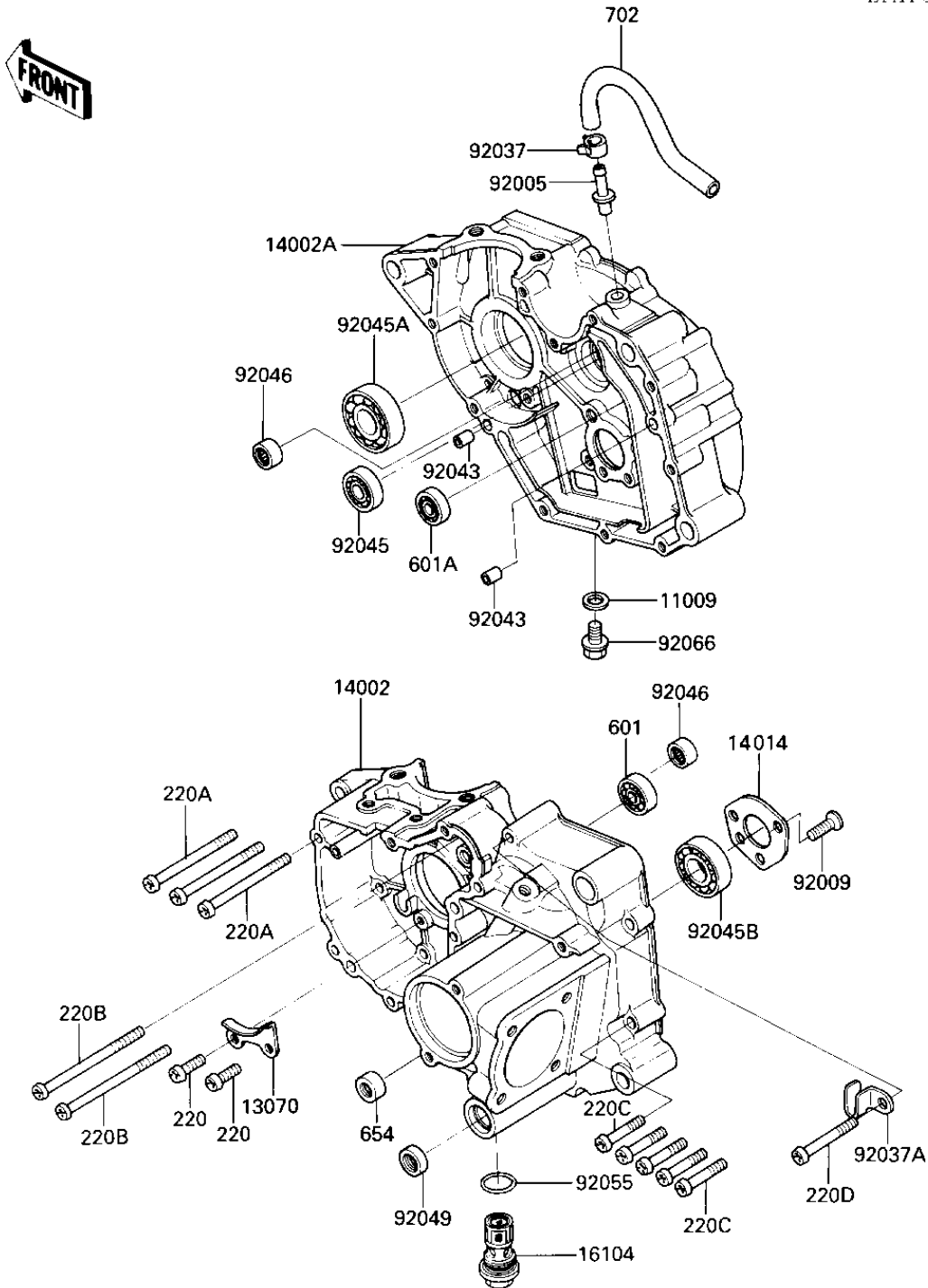


1985 KLT160 PARTS DIAGRAM

CRANKCASE

E1411-9121



1985 KLT160 PARTS LIST

CRANKCASE

ITEM NAME	PART NUMBER	QUANTITY
GASKET,DRIN PLUG (Ref # 11009)	92065-097	1
GUIDE,CAM CHAIN (Ref # 13070)	13070-1110	1
CRANKCASE,LH (Ref # 14002)	14002-1317	1
CRANKCASE,RH (Ref # 14002A)	14002-1318	1
PLATE-POSITION (Ref # 14014)	14014-1055	1
FILTER-COMP (Ref # 16104)	16104-1055	1
FITTING,BREATHER PIPE (Ref # 92005)	92005-1124	1
SCREW,6X14 (Ref # 92009)	92009-1349	4
CLAMP (Ref # 92037)	92037-1181	1
CLAMP (Ref # 92037A)	92037-1724	1
PIN-DOWEL (Ref # 92043)	92042-007	2
BEARING-BALL,#6204 (Ref # 92045)	92045-1032	1
BEARING-BALL,6305JR2C (Ref # 92045A)	92045-1120	1
BEARING-BALL,TMB304CC (Ref # 92045B)	92045-1142	1
BRG,NEEDLE,HMK1515B (Ref # 92046)	92046-060	2
OIL SEAL,TB13225.5 (Ref # 92049)	92051-005	1
RING-O,25.7X2.4 (Ref # 92055)	92055-1136	1
PLUG,OIL,DRAIN 12X15 (Ref # 92066)	92066-1174	1
SCREW PAN HEAD 6X14 (Ref # 220)	220B0614	1
SCREW PAN HEAD 6X60 (Ref # 220A)	220B0660	3
SCREW PAN HEAD 6X70 (Ref # 220B)	220B0670	2
SCREW-PAN-CROS (Ref # 220C)	220X0635	5
SCREW-PAN-CROS (Ref # 220D)	220X0650	1
BEARING BALL (Ref # 601)	601A6202Z	1
BEARING BALL #6202 (Ref # 601A)	601B6202	1
SEAL OIL (Ref # 654)	654B14257	1
TUBE-RUBBER (Ref # 702)	702A08400	1