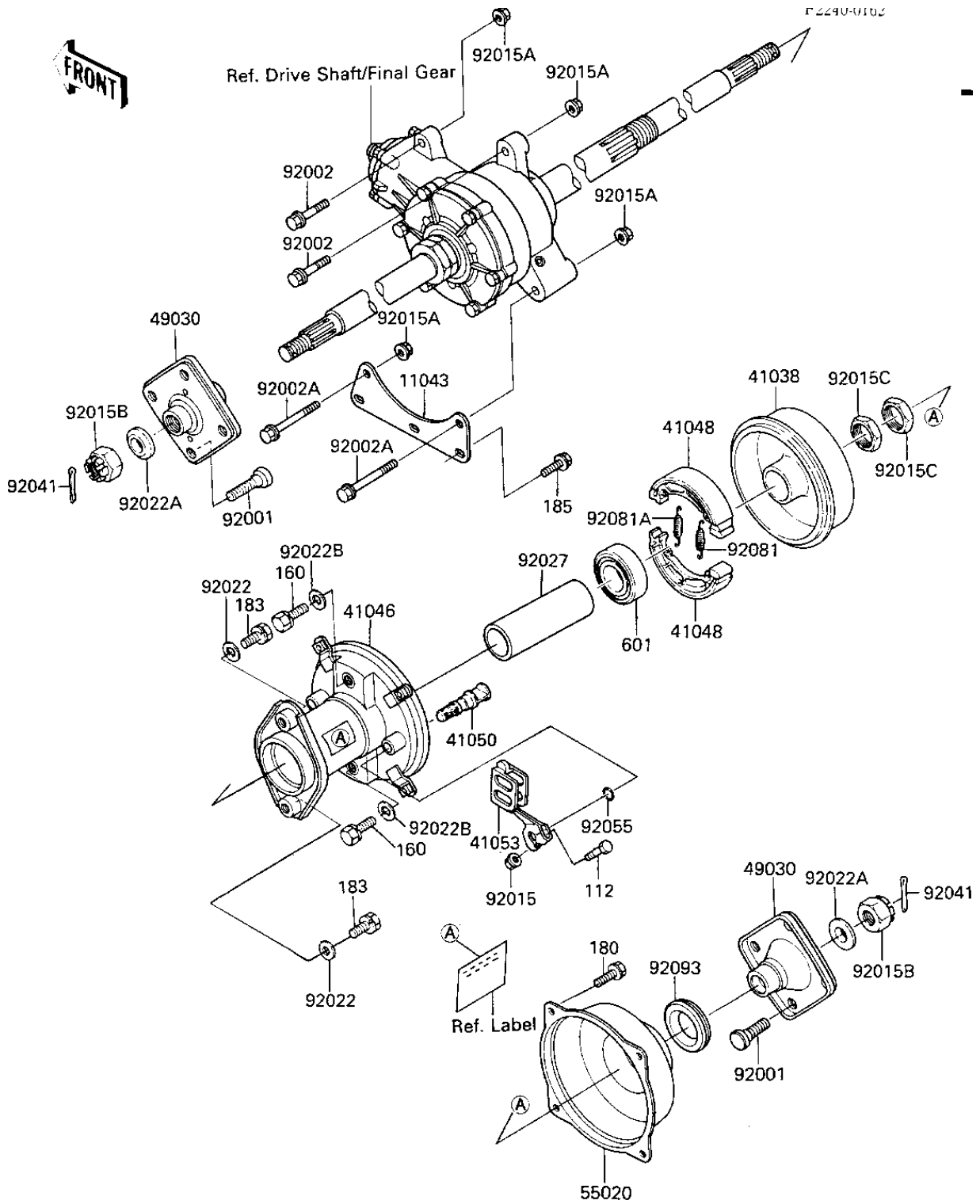


1985 KLT160 PARTS DIAGRAM

REAR HUB/BRAKE



1985 KLT160 PARTS LIST

REAR HUB/BRAKE

ITEM NAME	PART NUMBER	QUANTITY
BRACKET (Ref # 11043)	11043-1550	1
DRUM (Ref # 41038)	41038-4010	1
HOUSING-BEARING (Ref # 41046)	41046-1056	1
SHOE-BRAKE,RR (Ref # 41048)	41048-1025	2
CAM SHAFT,REAR BRAKE (Ref # 41050)	42026-026	1
LEVER-BRAKE CAM (Ref # 41053)	41053-4004	1
HUB,RR,G.SILVER (Ref # 49030)	49030-4022-F2	2
GUARD,RR-BRAKE-DRUM (Ref # 55020)	55020-4036	1
BOLT,LUG (Ref # 92001)	92001-4006	8
BOLT,FLANGED,10X38 (Ref # 92002)	92002-1313	2
BOLT,FLANGED,10X70 (Ref # 92002A)	92002-1315	2
NUT-6MM (Ref # 92015)	92015-1078	1
NUT,FLANGED,10MM (Ref # 92015A)	92015-1428	4
NUT CASTLE,18MM (Ref # 92015B)	42045-018	2
NUT,LOCK,32MM (Ref # 92015C)	92015-1493	2
WASHER,9X24X3.2 (Ref # 92022)	92022-1295	2
WASHER,18.3X34X4.5 (Ref # 92022A)	92022-1658	2
WASHER,12.5X28X4.5 (Ref # 92022B)	92022-4037	2
COLLAR,RR HUB,L=124.5 (Ref # 92027)	92027-1758	1
COTTER,4.0X35 (Ref # 92041)	92041-1053	2
"O" RING,11MM (Ref # 92055)	92055-004	1
SPRING,BRAKE SHOE (Ref # 92081)	92081-1550	1
SPRING,BRAKE SHOE (Ref # 92081A)	92081-1766	1
SEAL (Ref # 92093)	92093-4008	1
BOLT-UPSET (Ref # 112)	112H0640	1
BOLT-FINE-WS (Ref # 160)	160H1225	2
BOLT-UPSET-WS (Ref # 180)	180D0612	4
UNAVAILABLE IN PRICE BOOK (Ref # 183)	T83H0814	2
BOLT-UPSET-WSP-SMALL (Ref # 185)	185H0818	3

1985 KLT160 PARTS LIST

REAR HUB/BRAKE

ITEM NAME	PART NUMBER	QUANTITY
BEARING-BALL (Ref # 601)	601A6007UU	1