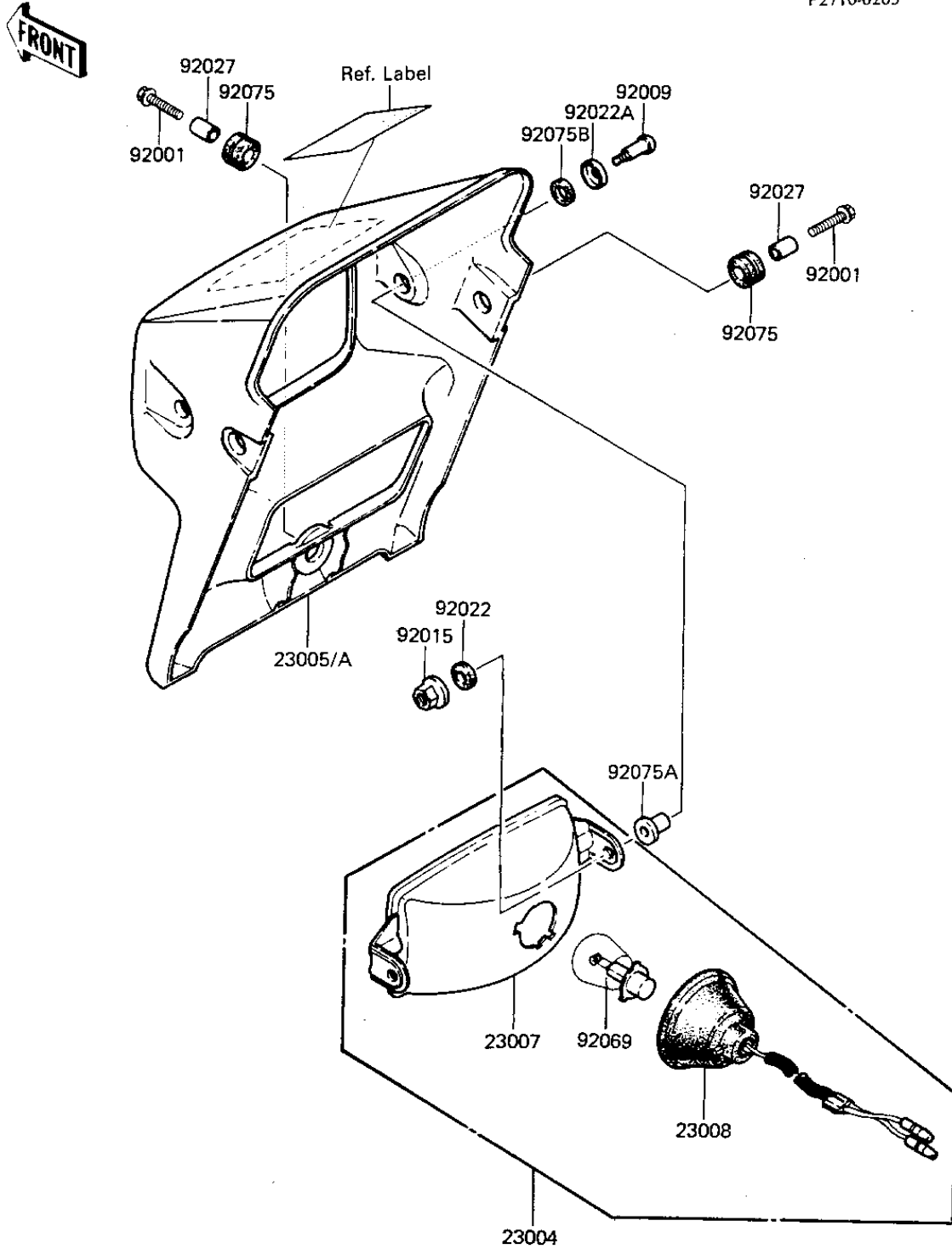


1985 KLT160 PARTS DIAGRAM

HEADLIGHT

F2/10-0205



1985 KLT160 PARTS LIST

HEADLIGHT

ITEM NAME	PART NUMBER	QUANTITY
LAMP-HEAD (Ref # 23004)	23004-1175	1
BODY-COMP-HEAD LAMP,B (Ref # 23005)	23005-4006-6D	1
BODY-COMP-HEAD LAMP,W (Ref # 23005A)	23005-4006-8S	1
LENS-COMP (Ref # 23007)	23007-1120	1
SOCKET H.L. (Ref # 23008)	23008-4004	1
UNAVAILABLE IN PRICE BOOK (Ref # 92001)	92001-185	3
SCREW,5MM (Ref # 92009)	92009-1343	2
NUT,HEAD LAMP RIM FIT (Ref # 92015)	23020-023	2
WASHER-PLAIN,5MM (Ref # 92022)	23021-012	2
WASHER,HEAD LAMP (Ref # 92022A)	92022-1597	2
COLLAR,6.8X10X11.5L (Ref # 92027)	92027-1210	3
BULB,12V 45/45W (Ref # 92069)	92069-1061	1
DAMPER (Ref # 92075)	92075-1057	3
DAMPER,HEAD LAMP (Ref # 92075A)	92075-4009	2
DAMPER,HEAD LAMP (Ref # 92075B)	92075-4010	2