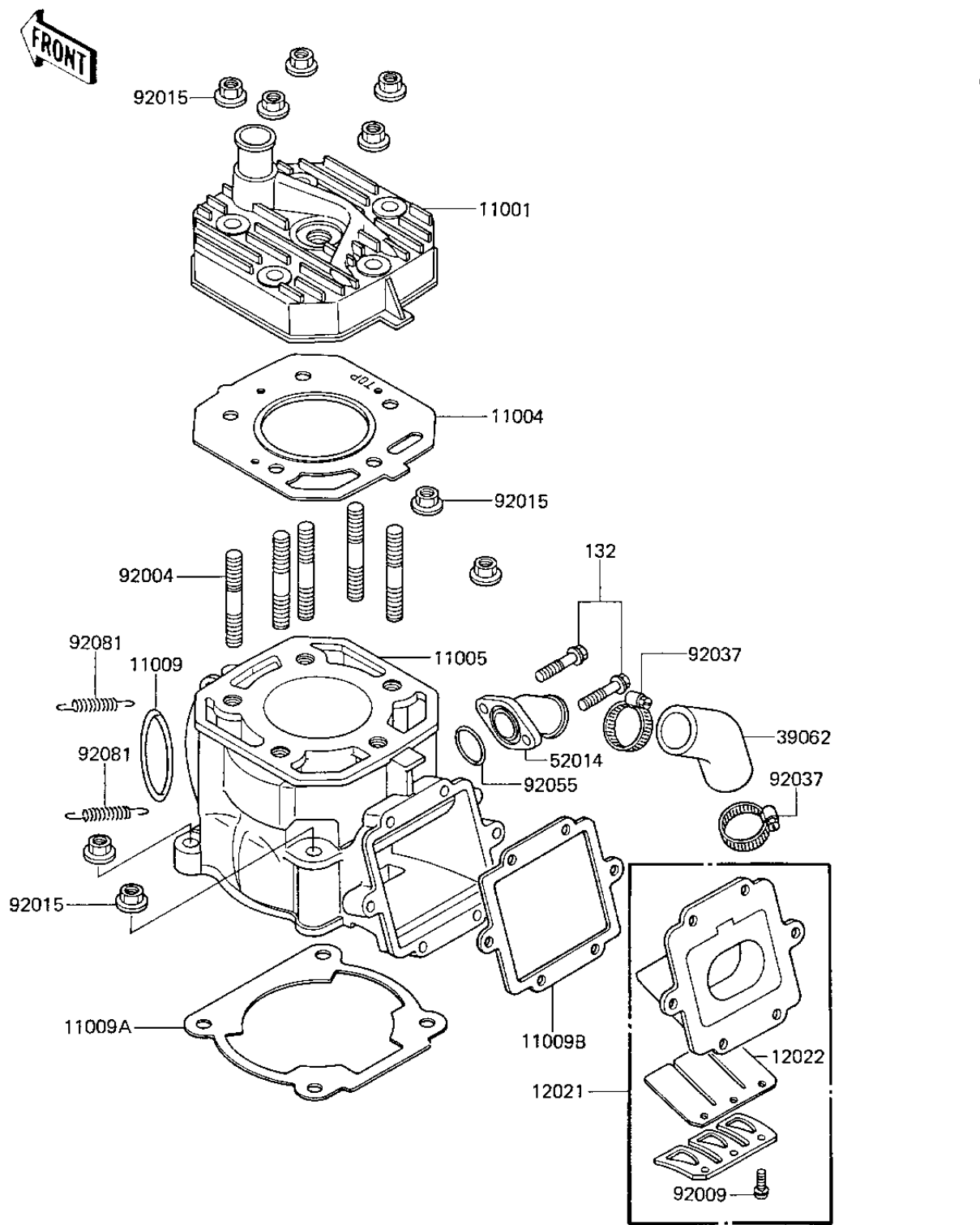


# 1984 KX125 PARTS DIAGRAM

CYLINDER HEAD/CYLINDER/REED VALVE

CRANKCASE ENGINE



# 1984 KX125 PARTS LIST

## CYLINDER HEAD/CYLINDER/REED VALVE

ITEM NAME	PART NUMBER	QUANTITY
HEAD-CYLINDER (Ref # 11001)	11001-1160	1
GASKET-HEAD (Ref # 11004)	11004-1112	1
CYLINDER-ENGINE (Ref # 11005)	11005-1351	1
GASKET,EXHAUST HOLDER (Ref # 11009)	11009-1123	1
GASKET,CYLINDER BASE (Ref # 11009A)	11009-1258	1
GASKET,REED VALVE (Ref # 11009B)	11009-1941	1
VALVE-ASSY-REED (Ref # 12021)	12021-1062	1
VALVE-REED (Ref # 12022)	12022-1057	2
HOSE-COOLING (Ref # 39062)	39062-1066	1
ELBOW (Ref # 52014)	52014-1053	1
STUD (Ref # 92004)	92004-1175	5
SCREW,REED VALVE (Ref # 92009)	92009-1014	6
NUT-8MM (Ref # 92015)	92015-1143	10
CLAMP,COOLING HOSE (Ref # 92037)	92037-1485	2
"O" RING (Ref # 92055)	92055-055	1
SPRING,MUFFLER CONECT (Ref # 92081)	92081-1526	2
BOLT-FLANGED-SMALL (Ref # 132)	132G0616	2