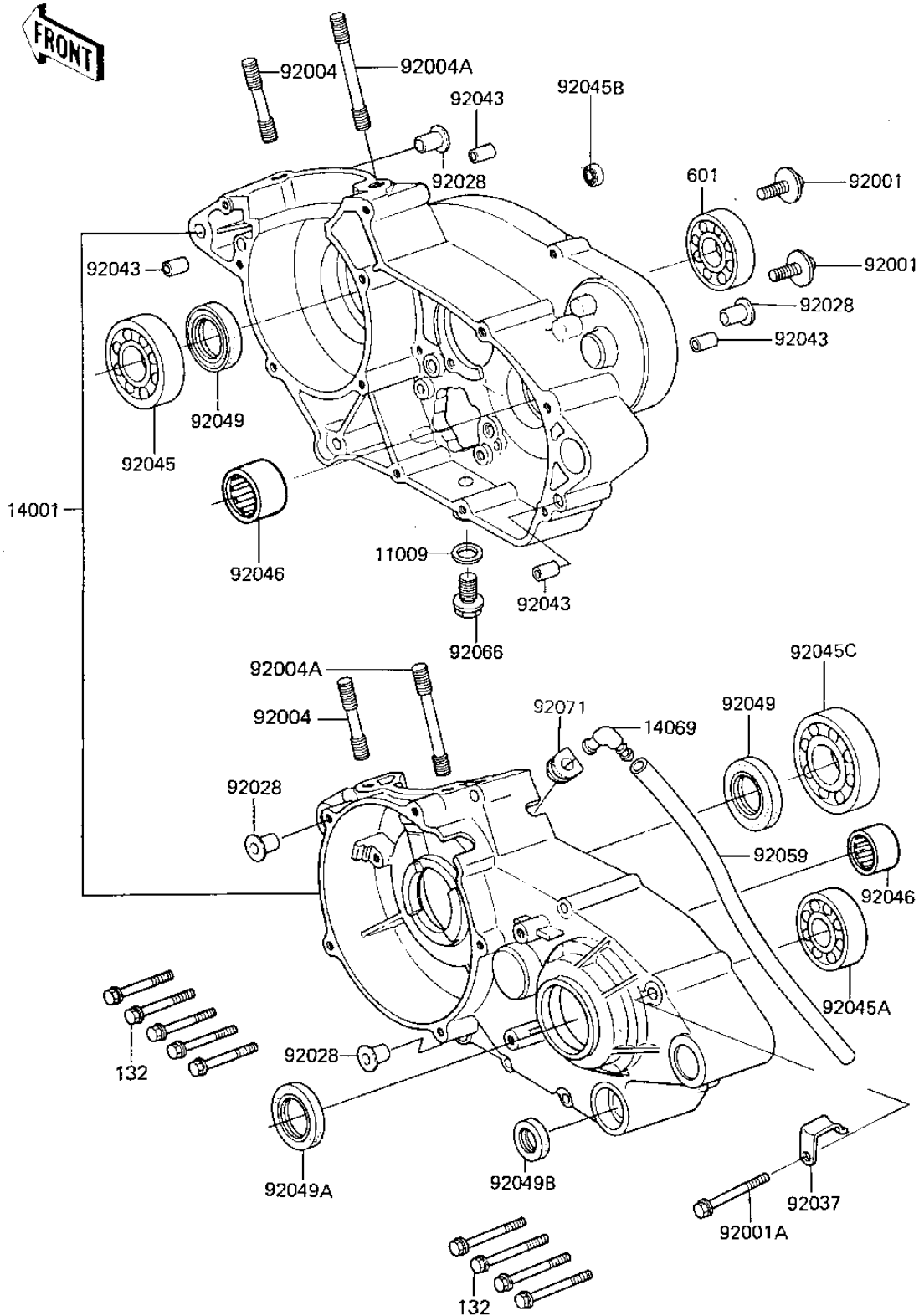


1984 KX125 PARTS DIAGRAM

CRANKCASE



1984 KX125 PARTS LIST

CRANKCASE

ITEM NAME	PART NUMBER	QUANTITY
-----------	-------------	----------