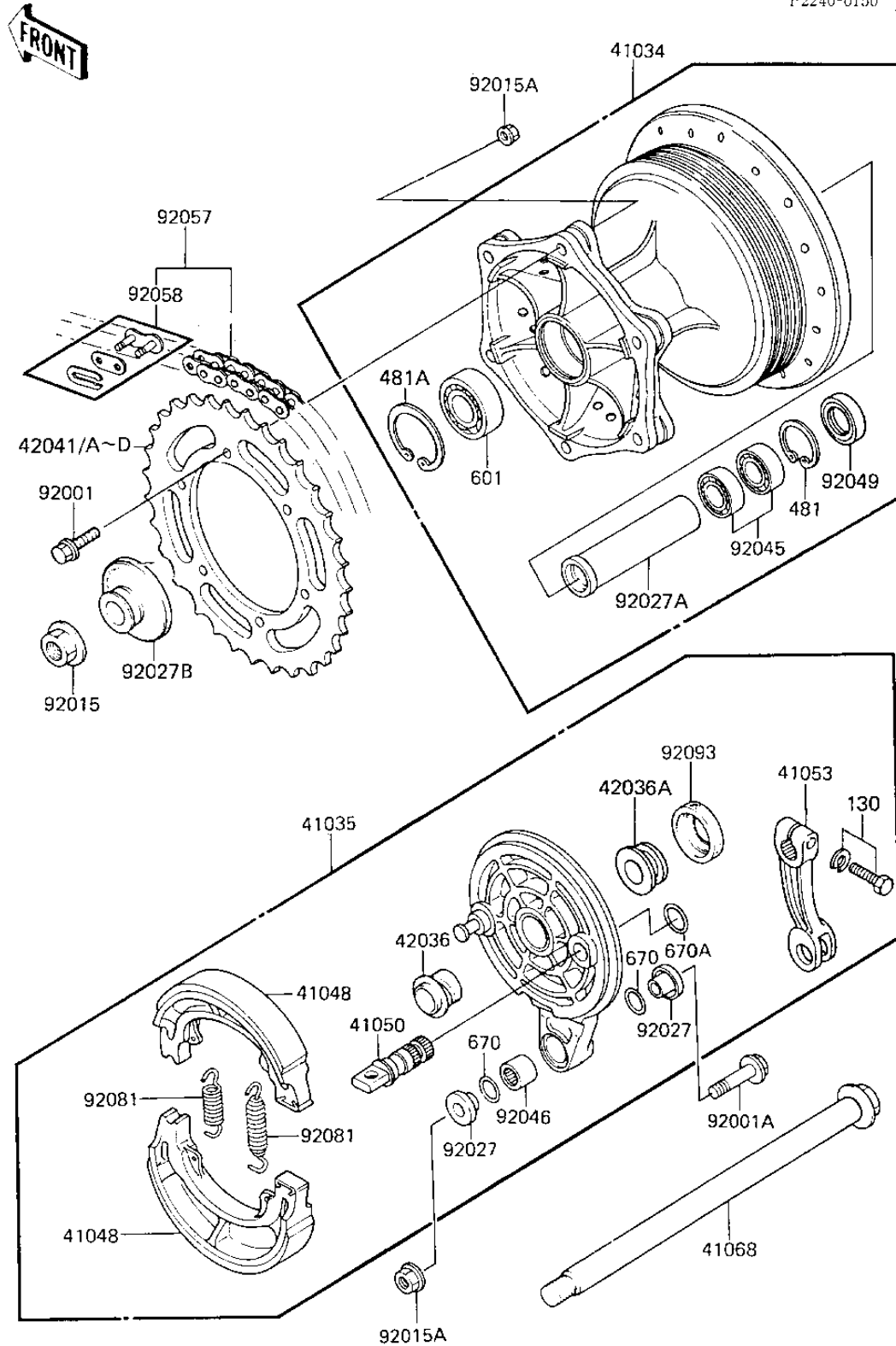


1984 KX125 PARTS DIAGRAM

REAR HUB/BRAKE/CHAIN

F2240-0150



1984 KX125 PARTS LIST

REAR HUB/BRAKE/CHAIN

ITEM NAME	PART NUMBER	QUANTITY
DRUM-ASSY,REAR BRAKE (Ref # 41034)	41034-1108	1
PANEL-ASSY-BRAKE,RR (Ref # 41035)	41035-1161	1
SHOE-BRAKE (Ref # 41048)	42019-013	2
CAM-BRAKE,REAR (Ref # 41050)	41050-1022	1
LEVER-BRAKE CAM,REAR (Ref # 41053)	41053-1029	1
AXLE,RR,L=283 (Ref # 41068)	41068-1166	1
SLEEVE,RR BRAKE,LH,L= (Ref # 42036)	42036-1070	1
SLEEVE,RR BRAKE,L=13. (Ref # 42036A)	42036-1110	1
REAR SPROCKET,52T (Ref # 42041)	42041-1044	1
SPROCKET-HUB,51T (Ref # 42041A)	42041-1079	1
SPROCKET-HUB,48T (Ref # 42041B)	42041-1125	1
SPROCKET-HUB,50T (Ref # 42041C)	42041-1132	1
SPROCKET-HUB,49T (Ref # 42041D)	42041-1183	1
BOLT,HEX HEAD,8X32 (Ref # 92001)	92001-1040	6
BOLT (Ref # 92001A)	92001-1578	1
NUT,16M/M (Ref # 92015)	92015-1015	1
NUT-8MM (Ref # 92015A)	92015-1143	7
COLLAR (Ref # 92027)	92027-1040	2
COLLAR,REAR DRUM,L=10 (Ref # 92027A)	92027-1459	1
COLLAR,AXLE (Ref # 92027B)	92027-1531	1
BEARING-BALL (Ref # 92045)	92045-1053	2
BEARING,NEEDLE (Ref # 92046)	92046-1009	1
SEAL-OIL,BJN22325 (Ref # 92049)	92049-1103	1
CHAIN,DRIVE,DID520DS (Ref # 92057)	92057-1167	1
JOINT,DRIVE CHAIN (Ref # 92058)	92058-1013	1
SPRING,BRAKE SHOE (Ref # 92081)	92081-1766	2
OIL SEAL (Ref # 92093)	92093-1004	1
BOLT-FLANGED,6X22 (Ref # 130)	130G0622	1
CIRCLIP 30MM (Ref # 481)	481J3000	1

1984 KX125 PARTS LIST

REAR HUB/BRAKE/CHAIN

ITEM NAME	PART NUMBER	QUANTITY
CIRCLIP,42MM (Ref # 481A)	92033-1041	1
BEARING-BALL,#6004U (Ref # 601)	601B6004U	1
"O" RING (Ref # 670)	670B2011	2
"O" RING,12MM (Ref # 670A)	670B2012	1