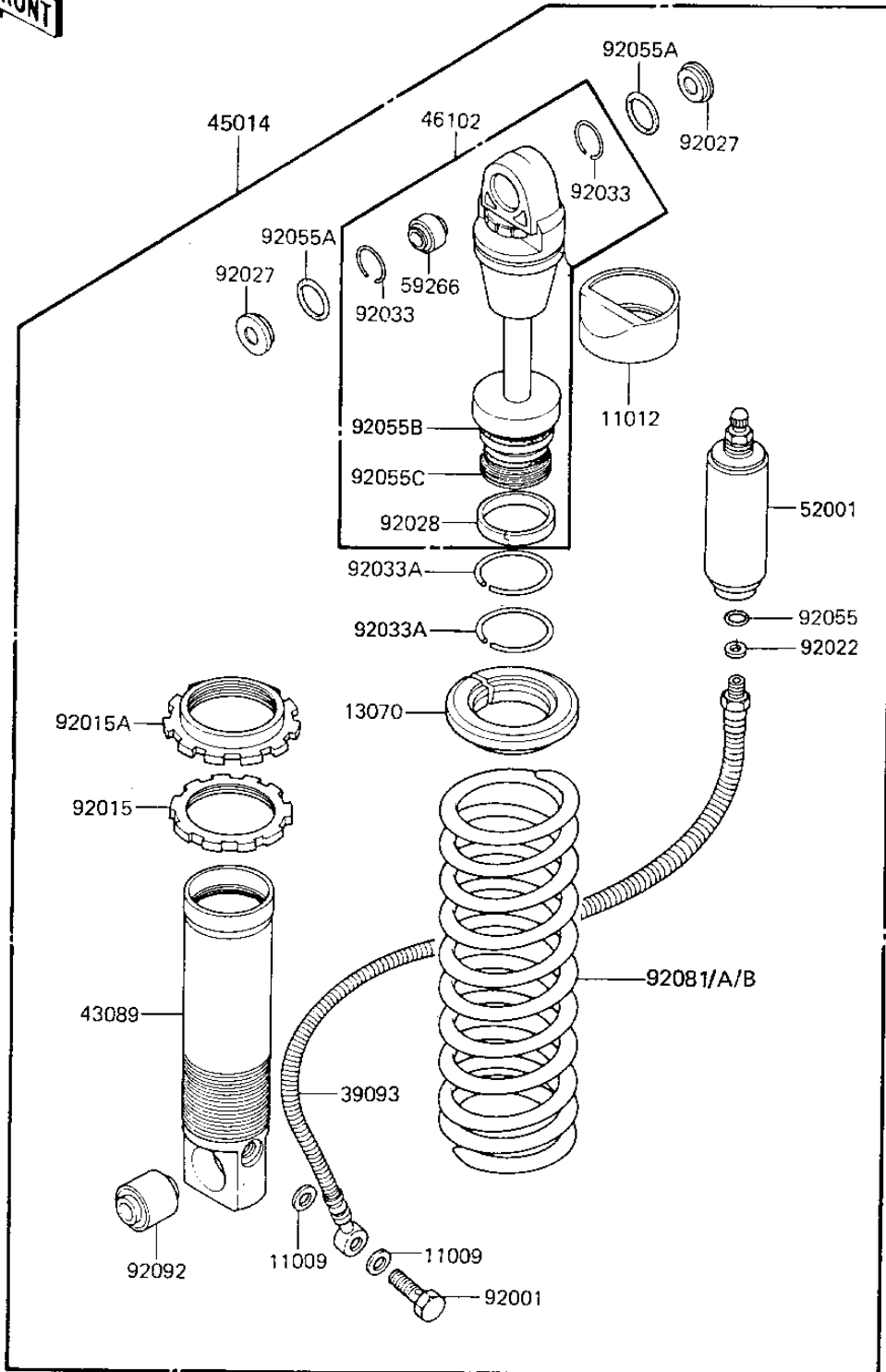


# 1984 KX125 PARTS DIAGRAM

## SHOCK ABSORBER



# 1984 KX125 PARTS LIST

## SHOCK ABSORBER

ITEM NAME	PART NUMBER	QUANTITY
GASKET,FORK CYLINDER (Ref # 11009)	44045-057	2
CAP,REARSHOCK (Ref # 11012)	11012-1278	1
GUIDE,SPRING (Ref # 13070)	13070-1075	1
PIPE-COMP-SUSP (Ref # 39093)	39093-1102	1
CYLINDER-SHOCKABSORBE (Ref # 43089)	43089-1102	1
SHOCKABSORBER (Ref # 45014)	45014-1268	1
ROD,SHOCKABSORBER (Ref # 46102)	46102-1118	1
TANK-OIL,REARSHOCK (Ref # 52001)	52001-1052	1
JOINT-BALL,REAR SHOCK (Ref # 59266)	59266-1053	1
BOLT,PIPE-COMP-SUSP (Ref # 92001)	92001-1752	1
NUT,SPRING ADJUST LOC (Ref # 92015)	92015-1238	1
NUT,SPRING ADJUST (Ref # 92015A)	92015-1239	1
WASHER,REAR SHOCK (Ref # 92022)	92022-1297	1
COLLAR,REARSHOCK (Ref # 92027)	92027-1534	2
BUSHING,ROD (Ref # 92028)	92028-1288	1
RING-SNAP,REARSHOCK (Ref # 92033)	92033-1090	2
RING-SNAP,REARSHOCK (Ref # 92033A)	92033-1091	2
"O" RING (Ref # 92055)	92055-1099	1
RING-O,REARSHOCK (Ref # 92055A)	92055-1156	2
RING-O,ROD (Ref # 92055B)	92055-1181	1
RING-O,ROD (Ref # 92055C)	92055-1234	1
SPRING,SHOCKABSORBER, (Ref # 92081)	92081-1559	1
SPRING-REAR SHOCK (Ref # 92081A)	92081-1577	1
SPRING-REAR SHOCK (Ref # 92081B)	92081-1578	1
BUSHING-RUBBER,SHOCKA (Ref # 92092)	92092-1008	1