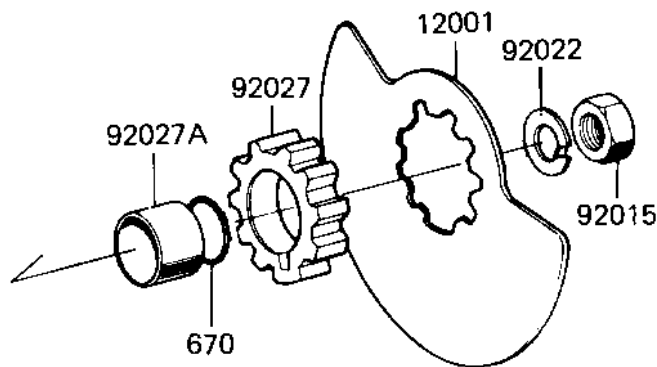
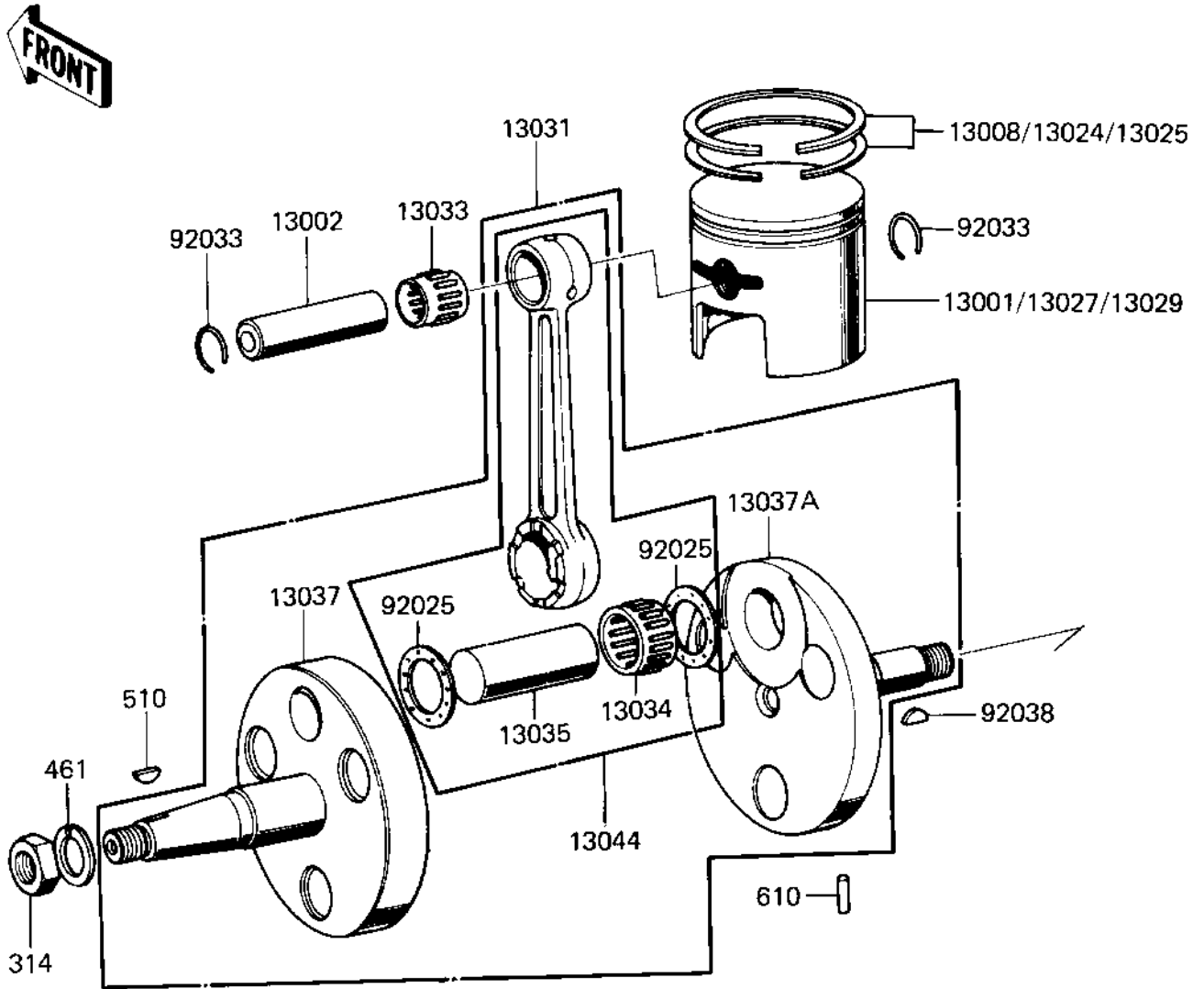


1986 KD80 PARTS DIAGRAM

CRANKSHAFT/PISTON/ROTARY VALVE

E1320-0032



1986 KD80 PARTS LIST

CRANKSHAFT/PISTON/ROTARY VALVE

| ITEM NAME | PART NUMBER | QUANTITY |
|-------------------------------------|-------------|----------|
| VALVE,ROTARY DISC (Ref # 12001) | 12002-030 | 1 |
| PISTON,STD (Ref # 13001) | 13001-061 | 1 |
| PIN-PISTON (Ref # 13002) | 13002-003 | 1 |
| RING SET,STD (Ref # 13008) | 13008-047 | 1 |
| RING SET,0.040 O/S (Ref # 13024) | 13024-052 | 1 |
| RING SET,0.020 O/S (Ref # 13025) | 13025-051 | 1 |
| PISTON,0.040 O/S (Ref # 13027) | 13027-059 | 1 |
| PISTON,0.020 O/S (Ref # 13029) | 13029-061 | 1 |
| CRANK&CONROD ASSY (Ref # 13031) | 13036-050 | 1 |
| BEARING,SMALL END (Ref # 13033) | 13033-030 | 1 |
| BEARING,BIG END (Ref # 13034) | 13034-034 | 1 |
| CRANK PIN (Ref # 13035) | 13035-025 | 1 |
| CRANKSHAFT,L.H (Ref # 13037) | 13037-068 | 1 |
| CRANKSHAFT,R.H (Ref # 13037A) | 13038-057 | 1 |
| CONNECTING ROD SET (Ref # 13044) | 13044-5015 | 1 |
| NUT 12MM (Ref # 92015) | 92015-006 | 1 |
| WASHER LOCK 12MM (Ref # 92022) | 92024-003 | 1 |
| WASHER-SIDE (Ref # 92025) | 92025-047 | 2 |
| COLLAR,ROTARY VALVE (Ref # 92027) | 92027-1245 | 1 |
| COLLAR,CRANKSHAFT (Ref # 92027A) | 92027-285 | 1 |
| CIRCLIP PISTON PIN (Ref # 92033) | 92036-003 | 2 |
| WOODRUFF KEY PRY PINI (Ref # 92038) | 92038-003 | 1 |
| NUT,10MM (Ref # 314) | 314B1000 | 1 |
| WASHER SPRING 10MM (Ref # 461) | 461F1000 | 1 |
| WOODRUFF KEY (Ref # 510) | 510A3200 | 1 |
| PIN DOWEL 4X10 (Ref # 610) | 610A0410 | 1 |
| "O" RING,16MM (Ref # 670) | 670B2016 | 1 |