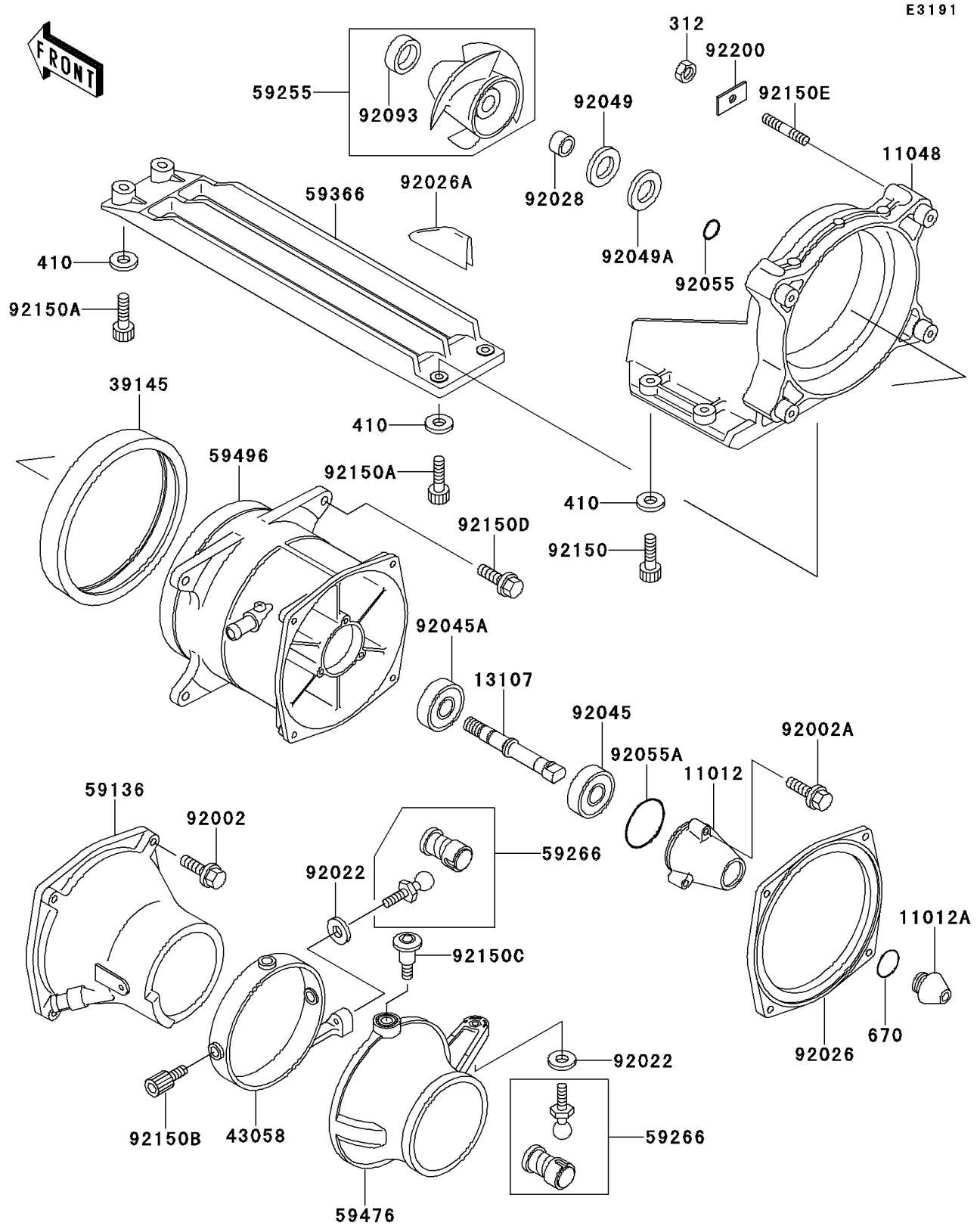


# 1997 900 ZXi PARTS DIAGRAM

Jet Pump



# 1997 900 ZXi PARTS LIST

## Jet Pump

ITEM NAME	PART NUMBER	QUANTITY
NUT-HEX,6MM (Ref # 312)	312R0600	2
WASHER-PLAIN-SMALL,6MM (Ref # 410)	410S0600	8
O RING,20MM (Ref # 670)	670B2020	1
CAP (Ref # 11012)	11012-3771	1
CAP (Ref # 11012A)	11012-3772	1
BRACKET (Ref # 11048)	11048-3763	1
SHAFT,JETPUMP (Ref # 13107)	13107-3737	1
TRIM-SEAL (Ref # 39145)	39145-3742	1
RING (Ref # 43058)	43058-3709	1
NOZZLE-PUMP (Ref # 59136)	59136-3738	1
IMPELLER-COMP (Ref # 59255)	59255-3709	1
JOINT-BALL (Ref # 59266)	59266-3707	2
GRATE (Ref # 59366)	59366-3712	1
NOZZLE-STRG,GRAY (Ref # 59476)	59476-3724-RA	1
VANE-GUIDE (Ref # 59496)	59496-3713	1
BOLT,6X40 (Ref # 92002)	92002-3716	4
BOLT,6X30 (Ref # 92002A)	92002-3726	3
WASHER (Ref # 92022)	92022-567	2
SPACER (Ref # 92026)	92026-3730	1
SPACER (Ref # 92026A)	92026-3731	3
BUSHING (Ref # 92028)	92028-3750	1
BEARING-BALL,62022RD (Ref # 92045)	92045-3721	1
BEARING-BALL,6303-132RD (Ref # 92045A)	92045-3722	1
SEAL-OIL (Ref # 92049)	92049-3717	1
SEAL-OIL (Ref # 92049A)	92049-3718	1
RING-O,13X1.9 (Ref # 92055)	92055-1021	1
RING-O (Ref # 92055A)	92055-3741	1
SEAL,JET PUMP (Ref # 92093)	92093-3739	1
BOLT,SOCKET,6X20 (Ref # 92150)	92150-3748	4

# 1997 900 ZXi PARTS LIST

## Jet Pump

ITEM NAME	PART NUMBER	QUANTITY
BOLT,SOCKET,6X18 (Ref # 92150A)	92150-3775	4
BOLT (Ref # 92150B)	92150-3808	2
BOLT (Ref # 92150C)	92150-3827	2
BOLT,8X30 (Ref # 92150D)	92150-3828	4
BOLT (Ref # 92150E)	92150-3829	2
WASHER (Ref # 92200)	92200-3740	2