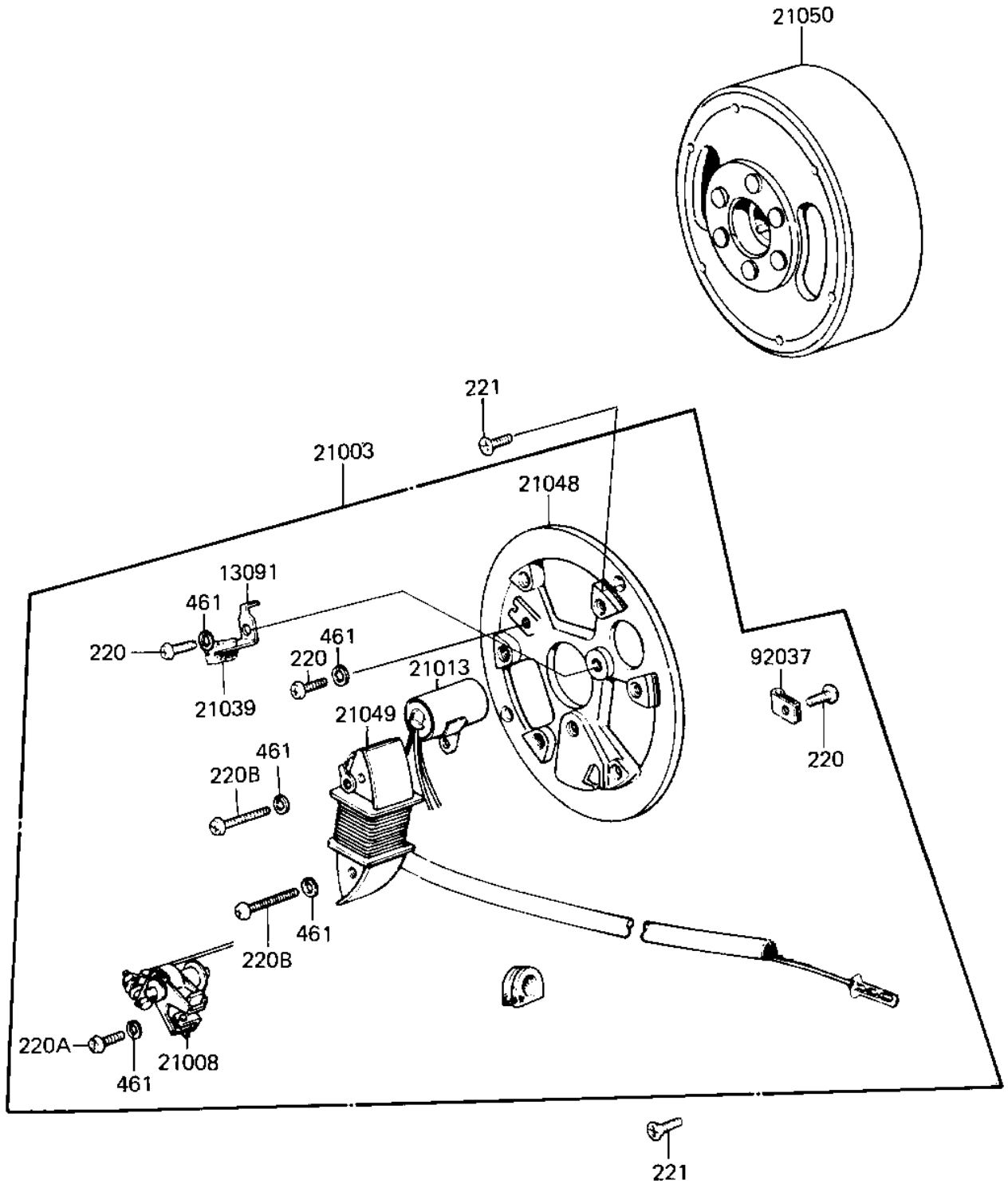


# 1986 KD80 PARTS DIAGRAM

IGNITION/GENERATOR

E1810-0033



# 1986 KD80 PARTS LIST

## IGNITION/GENERATOR

| ITEM NAME                          | PART NUMBER | QUANTITY |
|------------------------------------|-------------|----------|
| HOLDER,OIL FELT (Ref # 13091)      | 21038-002   | 1        |
| STATOR ASSY (Ref # 21003)          | 21003-1030  | 1        |
| BREAKER ASSY CONTACT (Ref # 21008) | 21008-006   | 1        |
| CONDENSER (Ref # 21013)            | 21013-006   | 1        |
| FELT OIL (Ref # 21039)             | 21019-005   | 1        |
| PLATE-COIL,MAGNETO (Ref # 21048)   | 21048-1002  | 1        |
| COIL,EXCITING (Ref # 21049)        | 21049-1004  | 1        |
| FLYWHEEL,MAGNETO (Ref # 21050)     | 21050-1008  | 1        |
| CLAMP WIRING HARNESS (Ref # 92037) | 21037-002   | 1        |
| SCREW PAN HEAD 4X6 (Ref # 220)     | 220B0406    | 3        |
| SCREW-PAN-CRSOSS,4X12 (Ref # 220A) | 220B0412    | 1        |
| SCREW PAN HEAD 4X30 (Ref # 220B)   | 220E0430    | 2        |
| SCREW CNTSNK HD 6X14 (Ref # 221)   | 221B0614    | 2        |
| WASHER SPRING 4MM (Ref # 461)      | 461F0400    | 5        |