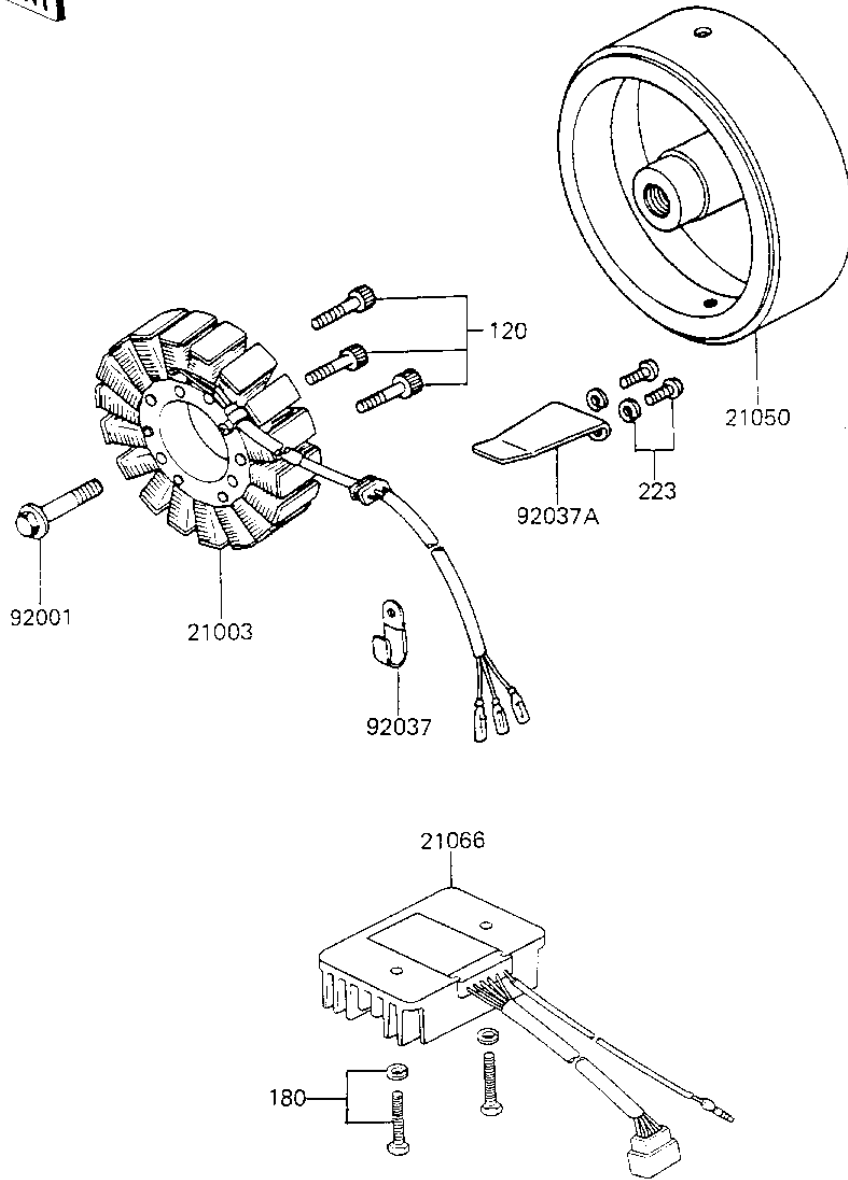


1984 KZ700-A1 PARTS DIAGRAM

GENERATOR/REGULATOR

E1810-0053



1984 KZ700-A1 PARTS LIST

GENERATOR/REGULATOR

ITEM NAME	PART NUMBER	QUANTITY
STATOR (Ref # 21003)	21003-1083	1
FLYWHEEL,GENERATOR (Ref # 21050)	21050-1041	1
REGULATOR-VOLTAGE (Ref # 21066)	21066-1027	1
BOLT,12X40 (Ref # 92001)	92001-1146	1
CLAMP,WIRING HARNESS (Ref # 92037)	21126-008	1
CLAMP,GENERATOR WIRE (Ref # 92037A)	92037-1122	1
BOLT-SOCKET,5X30 (Ref # 120)	120P0530	3
BOLT-UPSET-WS,6X25 (Ref # 180)	180B0625	2
SCREW-PAN-WS-CROS (Ref # 223)	223B0512	2