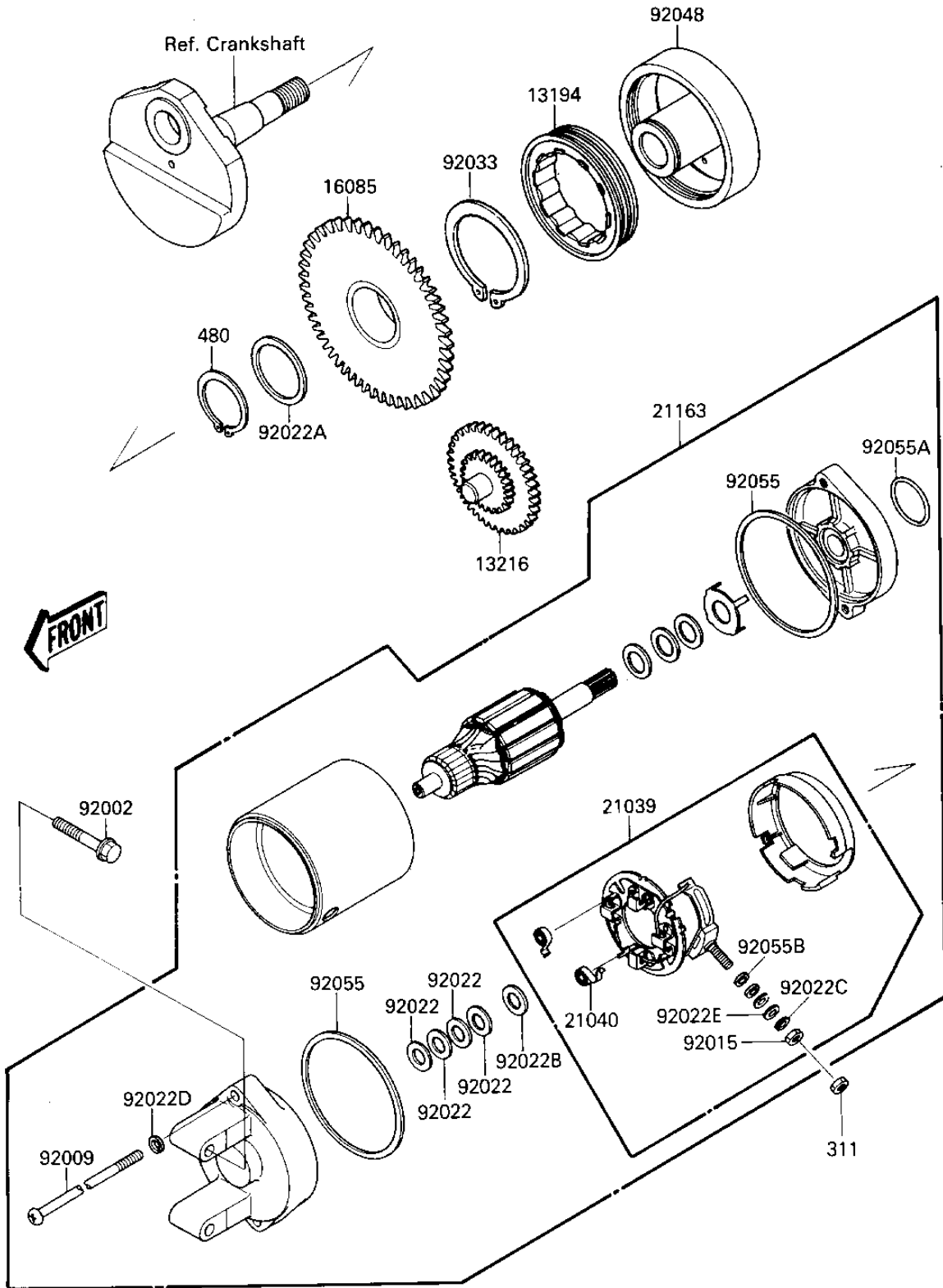


1987 JS300 PARTS DIAGRAM

STARTER MOTOR

E1840-0086



1987 JS300 PARTS LIST

STARTER MOTOR

ITEM NAME	PART NUMBER	QUANTITY
CLUTCH-ONEWAY (Ref # 13194)	13194-1062	1
GEAR-COMP,STARTER IDL (Ref # 13216)	13216-1009	1
GEAR,STARTER,59T (Ref # 16085)	16085-3701	1
BRUSH,CARBON (Ref # 21039)	21039-3702	1
SPRING-BRUSH (Ref # 21040)	21040-1003	4
STARTER-ELECTRIC (Ref # 21163)	21163-3703	1
BOLT,6X35 (Ref # 92002)	92002-3715	2
SCREW,STARTER MOTOP (Ref # 92009)	92009-3702	2
NUT,6MM (Ref # 92015)	92015-3710	1
WASHER,THRUST,0.2T (Ref # 92022)	21025-011	4
WASHER,36.3X46X2.0 (Ref # 92022A)	92022-1102	1
WASHER,THRUST,0.8T (Ref # 92022B)	92022-1132	1
WASHER,6MM (Ref # 92022C)	92022-3711	2
WASHER,SPRING,5MM (Ref # 92022D)	92022-3712	2
WASHER,6MM (Ref # 92022E)	92022-3713	1
RING-SNAP (Ref # 92033)	92033-3706	1
RACE,CLUTCH (Ref # 92048)	92048-3705	1
"0" RING,STARTER MOTR (Ref # 92055)	92055-1086	2
RING-O (Ref # 92055A)	92055-1276	1
RING-O,4.5X2.0 (Ref # 92055B)	92055-1370	1
NUT,6M/M (Ref # 311)	311R0600	1
CIRCLIP,36M/M (Ref # 480)	480J3600	1