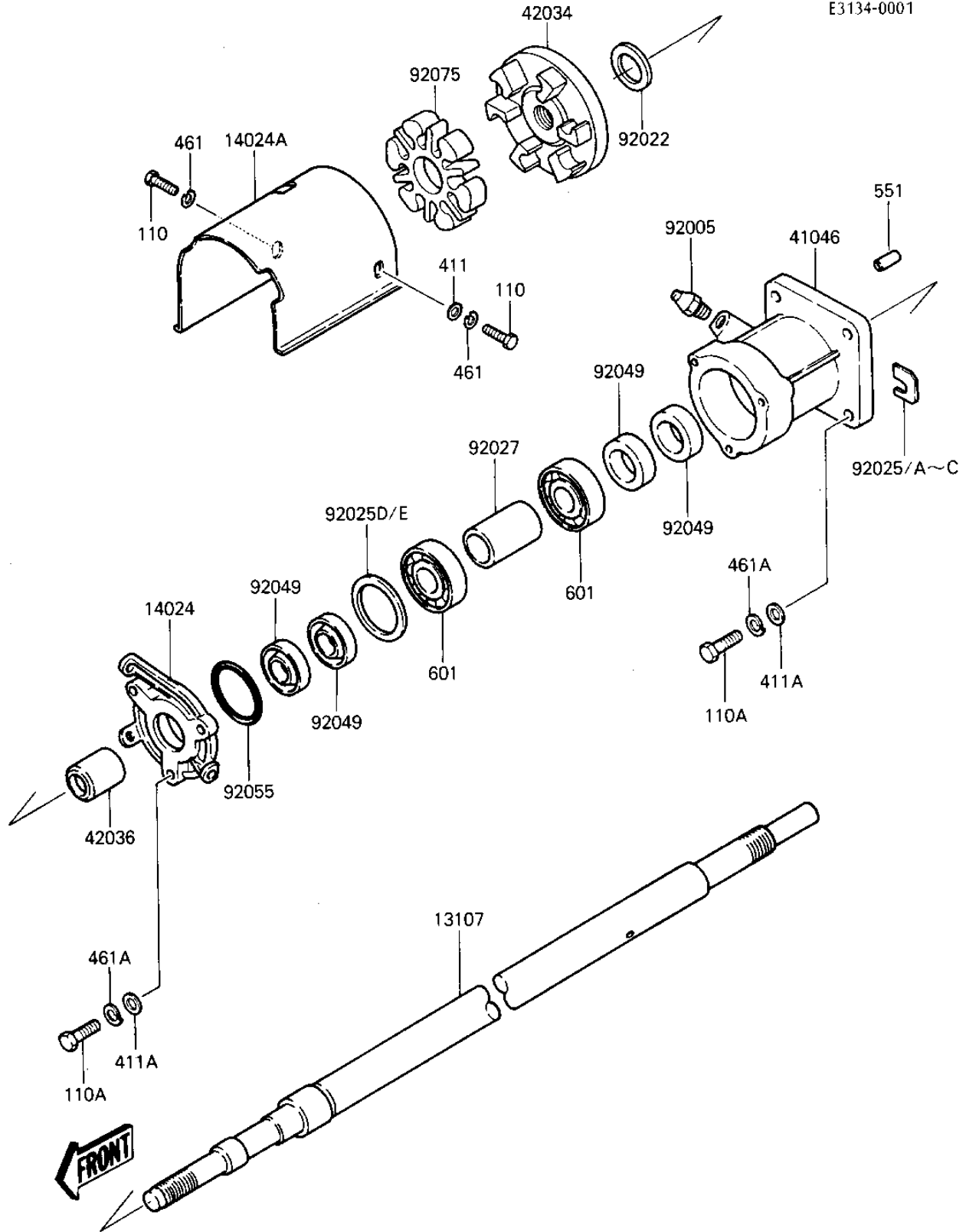


1987 JS300 PARTS DIAGRAM

DRIVE SHAFT

E3134-0001



1987 JS300 PARTS LIST

DRIVE SHAFT

ITEM NAME	PART NUMBER	QUANTITY
SHAFT,DRIVE (Ref # 13107)	59111-515	1
COVER,BEARING (Ref # 14024)	14025-3008	1
COVER,COUPLING (Ref # 14024A)	59036-567	1
HOLDER (Ref # 41046)	41046-502	1
COUPLING (Ref # 42034)	42034-3706	1
SLEEVE,BEARING (Ref # 42036)	42036-501	1
NIPPLE,GREASE (Ref # 92005)	92005-501	1
WASHER (Ref # 92022)	92022-3728	1
SHIM,T=0.3 (Ref # 92025)	92025-3701	AR
SHIM.T=0.5 (Ref # 92025A)	92025-3702	AR
SHIM,T=1.0 (Ref # 92025B)	92025-3703	AR
SHIM,T=1.5MM (Ref # 92025C)	92025-3704	AR
SHIM 0.15T (Ref # 92025D)	92025-502	AR
SHIM 0.3T (Ref # 92025E)	92025-503	AR
COLLAR (Ref # 92027)	92027-502	1
SEAL,OIL AC1799EX (Ref # 92049)	92050-501	4
"0" RING (Ref # 92055)	92055-501	1
DAMPER RUBBER,COUPLNG (Ref # 92075)	92075-520	1
BOLT 6X16 (Ref # 110)	110R0616	3
BOLT,8X25 (Ref # 110A)	110R0825	7
WASHER (Ref # 411)	411S0600	2
WASHER (Ref # 411A)	411S0800	6
WASHER-SPRING,6MM (Ref # 461)	461S0600	3
WASHER SPRING 8MM (Ref # 461A)	461S0800	7
PIN,DOWEL (Ref # 551)	551R0612	2
BEARING BALL #6305 (Ref # 601)	601B6305	2