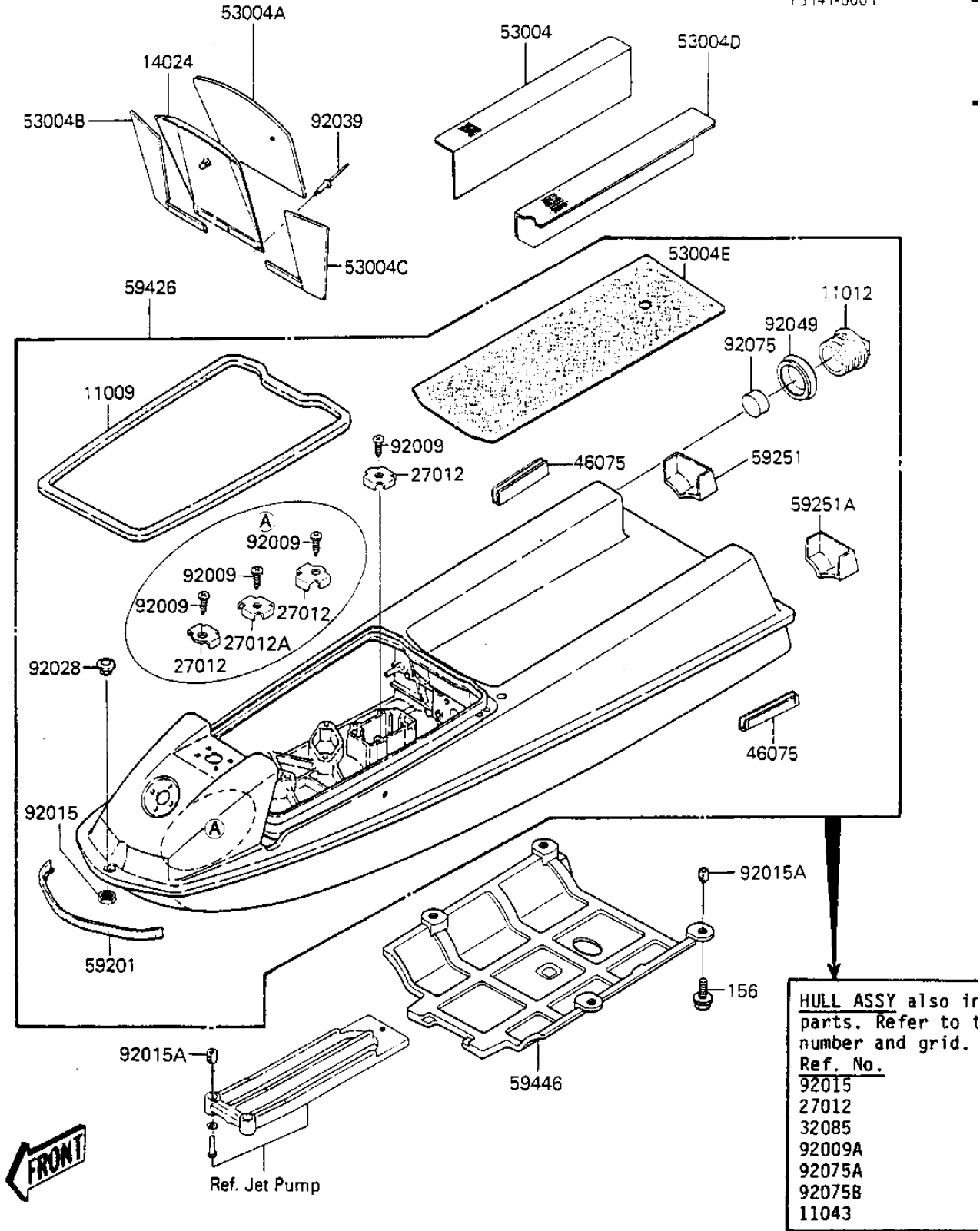


1987 JS300 PARTS DIAGRAM

HULL

F3141-0001



1987 JS300 PARTS LIST

HULL

ITEM NAME	PART NUMBER	QUANTITY
GASKET,ENGINE COVER (Ref # 11009)	92065-539	1
CAP (Ref # 11012)	11012-3721	1
COVER (Ref # 14024)	14025-3706	1
HOOK (Ref # 27012)	27012-501	7
HOOK (Ref # 27012A)	27012-502	2
GRIP (Ref # 46075)	46075-3701	2
MAT,DECK FIN,RH (Ref # 53004)	53004-3701	1
MAT,DASHBOARD,COVER (Ref # 53004A)	53004-3705	1
MAT,DASHBOARD,RH (Ref # 53004B)	53004-3709	1
MAT,DASHBOARD,LH (Ref # 53004C)	53004-3710	1
MAT,DECK FIN,LH (Ref # 53004D)	53004-3714	1
MAT (Ref # 53004E)	59131-502	1
BUMPER (Ref # 59201)	59201-3691	1
HULL EXTENSION-RH (Ref # 59251)	59251-3005-8C	1
HULL EXTENSION-LH (Ref # 59251A)	59251-3006-8C	1
HULL-COMP,JET WHITE (Ref # 59426)	59426-5513-8C	1
COVER-JET PUMP (Ref # 59446)	59446-3002	1
SCREW 0.22 X 0.563 (Ref # 92009)	92011-561	9
NUT,20MM (Ref # 92015)	92015-3721	1
NUT-INSERT,6MM (Ref # 92015A)	92015-523	6
BUSHING (Ref # 92028)	92028-3724	1
RIVET (Ref # 92039)	92039-3703	3
SEAL-OIL (Ref # 92049)	92049-3709	1
DAMPER (Ref # 92075)	92075-3710	1
BOLT-WP,6X25 (Ref # 156)	156R0625	4