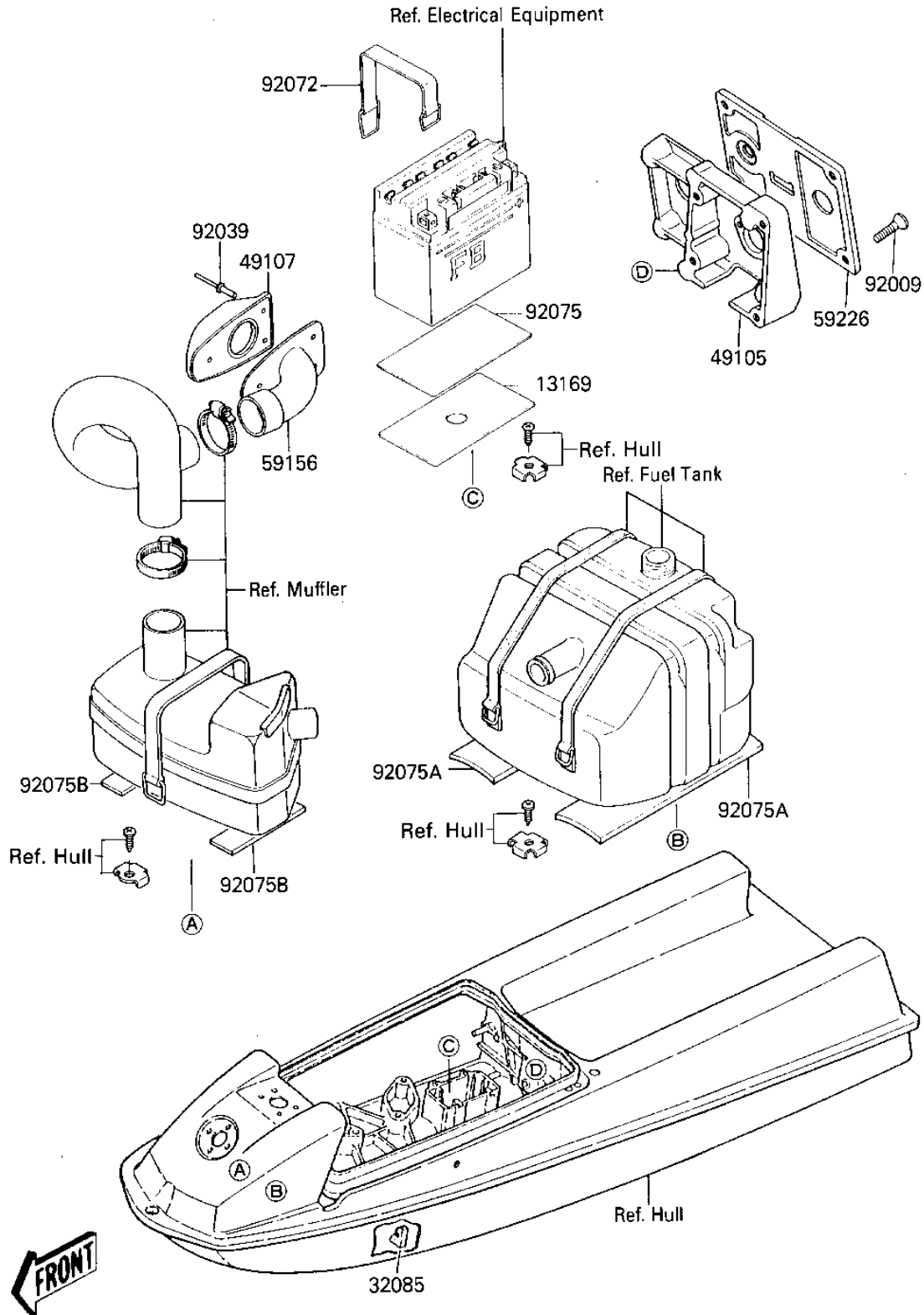


1986 JS300 PARTS DIAGRAM

HULL FITTING

F3143-0001



1986 JS300 PARTS LIST

HULL FITTING

ITEM NAME	PART NUMBER	QUANTITY
PLATE-BATTERY (Ref # 13169)	13169-3014	1
DETENT,STEERING CABLE (Ref # 32085)	59346-504	3
BRACKET-TAP (Ref # 49105)	49105-3703	1
COVER-EXHAUST PIPE (Ref # 49107)	49107-3701	1
PIPE-TAIL (Ref # 59156)	59156-3702	1
PANEL-CONTROL (Ref # 59226)	59226-3702	1
SCREW,CNTSNK HEAD8X22 (Ref # 92009)	92009-3004	4
RIVET (Ref # 92039)	92039-3002	3
BAND,BATTERY (Ref # 92072)	92072-3749	2
CUSHION,BATTERY (Ref # 92075)	92075-509	1
DAMPER,6.0TX90X300 (Ref # 92075A)	92075-521	2
DAMPER,3.0TX90X200 (Ref # 92075B)	92075-522	2