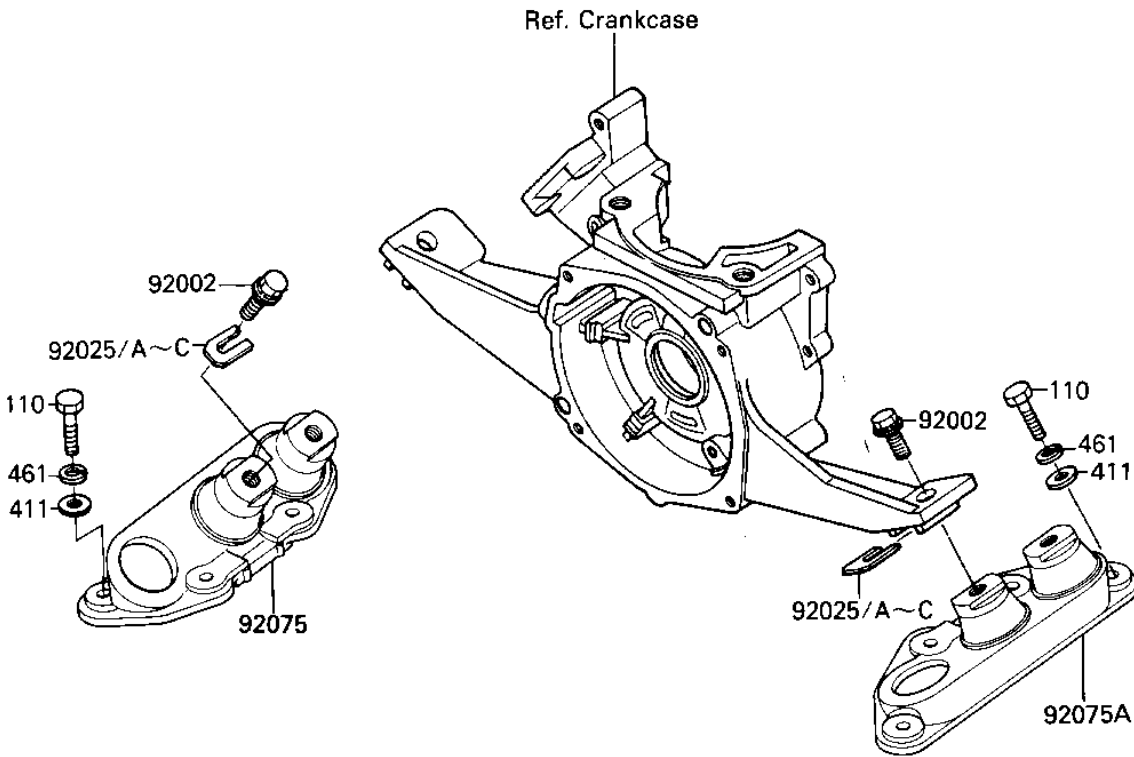


# 1987 JS300 PARTS DIAGRAM

## ENGINE MOUNT

F3144-0001



# 1987 JS300 PARTS LIST

## ENGINE MOUNT

ITEM NAME	PART NUMBER	QUANTITY
BOLT,10X25 (Ref # 92002)	92002-3770	4
SHIM,T=0.3MM (Ref # 92025)	92025-3705	AR
SHIM,T=0.5MM (Ref # 92025A)	92025-3706	AR
SHIM,T=1.0MM (Ref # 92025B)	92025-3707	AR
SHIM,T=1.5MM (Ref # 92025C)	92025-3708	AR
DAMPER,ENG MOUNT RH (Ref # 92075)	92075-3711	1
DAMPER,ENG MOUNT LH (Ref # 92075A)	92075-3712	1
BOLT-WSP-SMALL,8X20 (Ref # 155)	155R0820	8