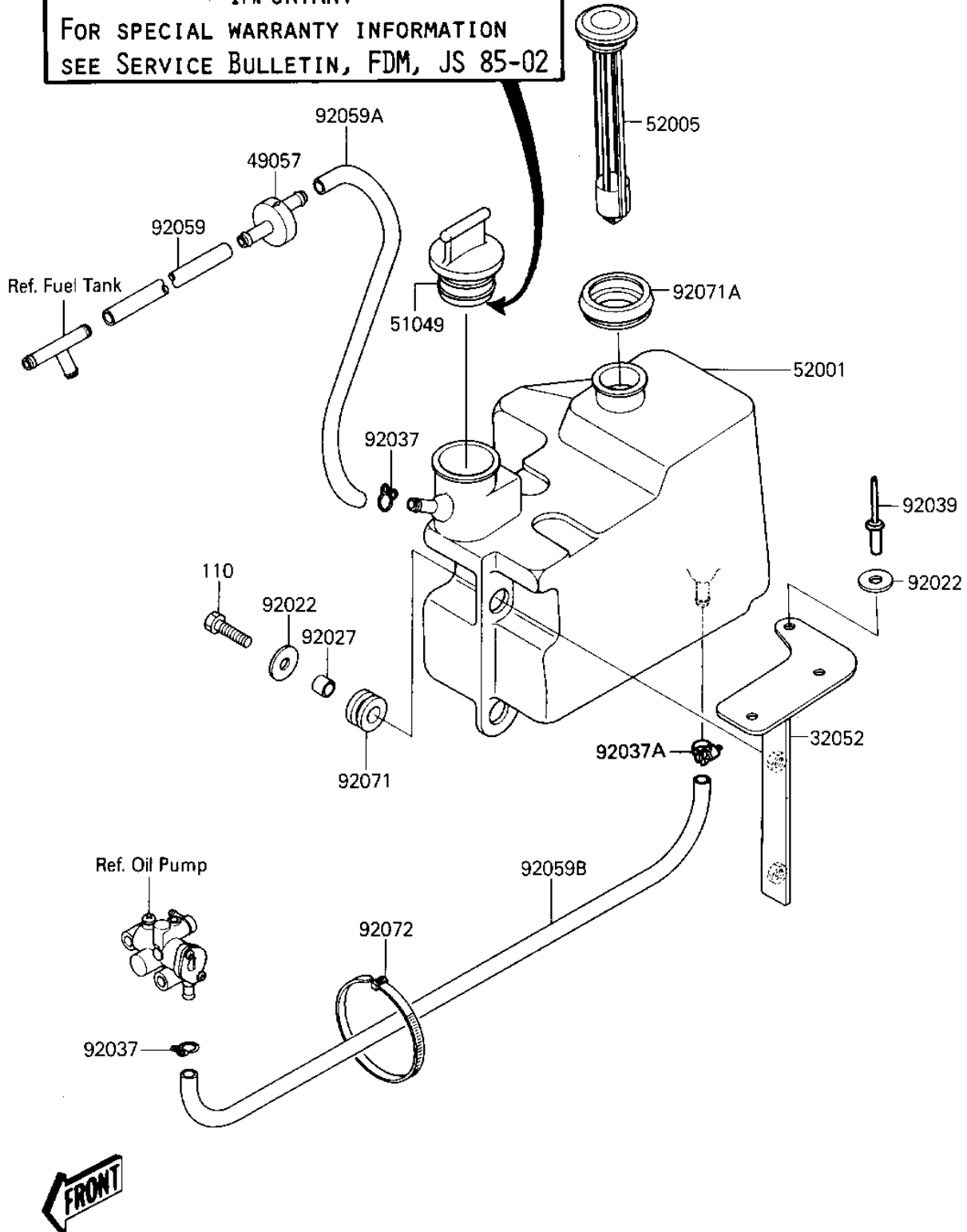


1986 JS300 PARTS DIAGRAM

OIL TANK

F3174-0001

IMPORTANT
FOR SPECIAL WARRANTY INFORMATION
SEE SERVICE BULLETIN, FDM, JS 85-02



1986 JS300 PARTS LIST

OIL TANK

ITEM NAME	PART NUMBER	QUANTITY
BRACKET-TANK,OIL (Ref # 32052)	32052-3702	1
VALVE,RELIEF (Ref # 49057)	49057-3001	1
CAP-TANK,OIL (Ref # 51049)	51049-3707	1
TANK OIL (Ref # 52001)	52001-3702	1
GAUGE (Ref # 52005)	52005-3702	1
WASHER,6.2X20X2 (Ref # 92022)	92022-3714	5
COLLAR,6.2X10X10 (Ref # 92027)	92027-3705	2
CLAMP,SPARK PLUG CAP (Ref # 92037)	92037-1173	2
CLAMP (Ref # 92037A)	92037-3726	1
RIVET (Ref # 92039)	92039-3719	3
TUBE,5.8X700 (Ref # 92059)	92059-3720	1
TUBE,OIL,6X100 (Ref # 92059A)	92059-3721	1
TUBE (Ref # 92059B)	92059-3764	1
GROMMET (Ref # 92071)	92071-3716	2
GROMMET (Ref # 92071A)	92071-3750	1
BAND,SHORT (Ref # 92072)	92072-030	1
BOLT,HEX HEAD,6X25 (Ref # 110)	110R0625	2