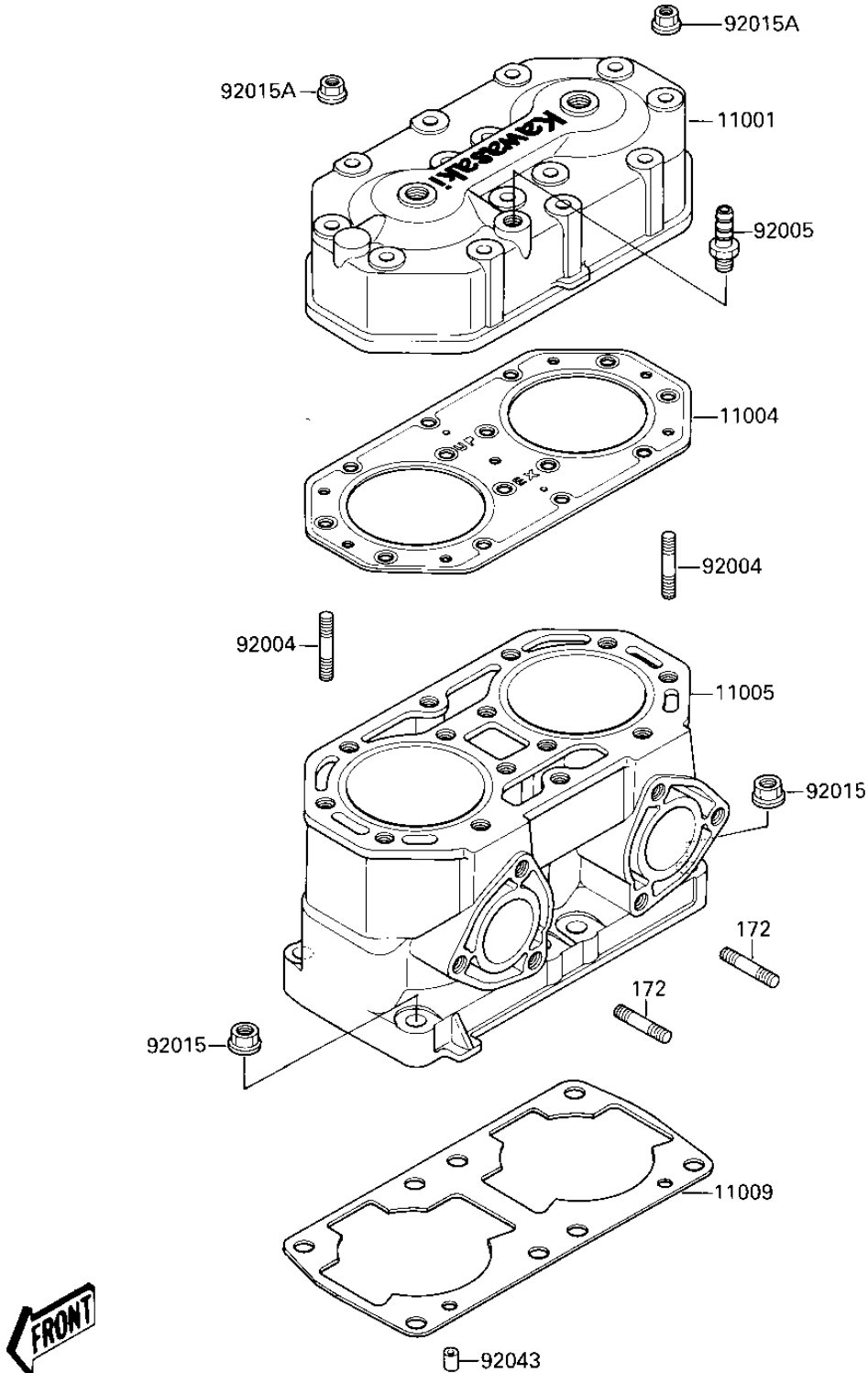


1986 X2 PARTS DIAGRAM

CYLINDER HEAD/CYLINDER

E1110-0033



1986 X2 PARTS LIST

CYLINDER HEAD/CYLINDER

ITEM NAME	PART NUMBER	QUANTITY
HEAD-CYLINDER (Ref # 11001)	11001-3710	1
GASKET-HEAD (Ref # 11004)	11004-3710	1
CYLINDER-ENGINE (Ref # 11005)	11005-3708	1
GASKET,CYLINDER BASE (Ref # 11009)	11009-3775	1
STUD,8X43 (Ref # 92004)	92004-3715	14
JOINT,HOSE (Ref # 92005)	92005-3001	1
NUT,10MM (Ref # 92015)	92015-1649	8
NUT,8MM (Ref # 92015A)	92015-3709	14
PIN-DOWEL (Ref # 92043)	92042-007	2
BOLT-STUD (Ref # 172)	172R0830	6