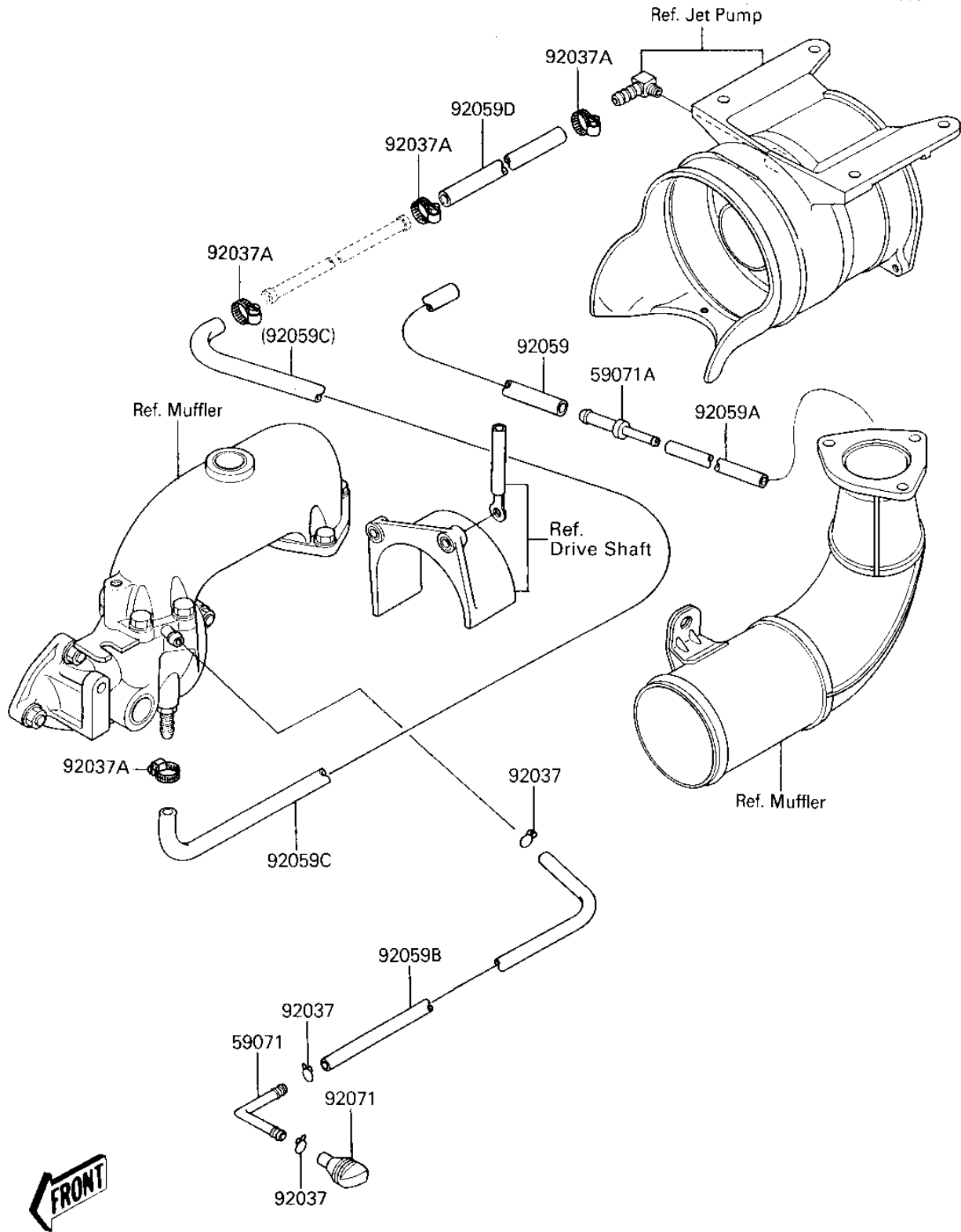


# 1986 X2 PARTS DIAGRAM

COOLING (JF650-A1)

E3035-0002



# 1986 X2 PARTS LIST

## COOLING (JF650-A1)

ITEM NAME	PART NUMBER	QUANTITY
JOINT (Ref # 59071)	59071-3706	1
JOINT (Ref # 59071A)	59071-3715	1
CLAMP,SPARK PLUG CAP (Ref # 92037)	92037-1173	3
CLAMP,HOSE (Ref # 92037A)	92037-504	4
TUBE,9X16X80 (Ref # 92059)	92059-3039	1
TUBE,5.8X500 (Ref # 92059A)	92059-3756	1
TUBE (Ref # 92059B)	92059-3759	1
TUBE,HULL TO ENGINE,9 (Ref # 92059C)	92059-3761	1
HOSE,WATER (1) (Ref # 92059D)	92059-503	1
GROMMET (Ref # 92071)	92071-3736	1