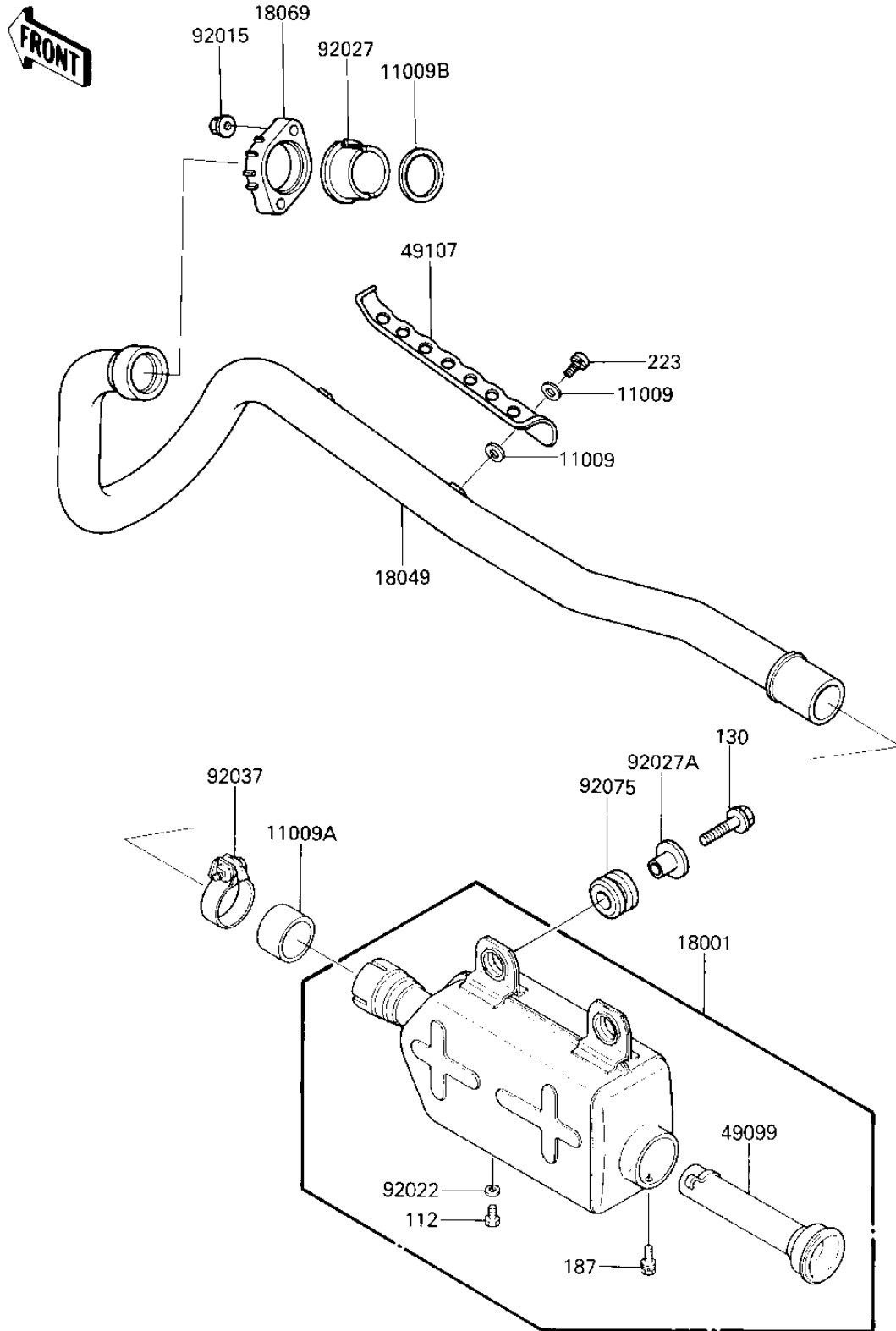


1987 KLT185 PARTS DIAGRAM

MUFFLER



1987 KLT185 PARTS LIST

MUFFLER

ITEM NAME	PART NUMBER	QUANTITY
GASKET,6.2X11.5X1.5 (Ref # 11009)	11060-1109	4
GASKET,EXHAUST PIPE C (Ref # 11009A)	11009-1667	1
GASKET,EXHAUST PIPE H (Ref # 11009B)	11009-1866	1
MUFFLER (Ref # 18001)	18001-1593	1
PIPE-EXAUST (Ref # 18049)	18049-1351	1
HOLDER,EXHAUST PIPE (Ref # 18069)	18069-1006	1
BAFFLE-PIPE MUFFLER (Ref # 49099)	49099-1200	1
COVER-EXHAUST PIPE (Ref # 49107)	49107-1055	1
NUT,6MM (Ref # 92015)	92015-1365	2
WASHER,PLAIN (Ref # 92022)	92022-304	1
COLLAR,EXHAUST PIPE (Ref # 92027)	92027-1142	2
COLLAR,MUFFLER (Ref # 92027A)	92027-1981	2
CLAMP,42MM,BLACK (Ref # 92037)	92037-1350	1
DAMPER,MUFFLER (Ref # 92075)	92075-1809	2
BOLT-UPSET,6X8 (Ref # 112)	112B0608	1
BOLT-FLANGED,8X30 (Ref # 130)	130J0830	2
BOLT 6X12 (Ref # 187)	187B0612	1
SCREW-PAN-WS-CROS (Ref # 223)	223C0610	2