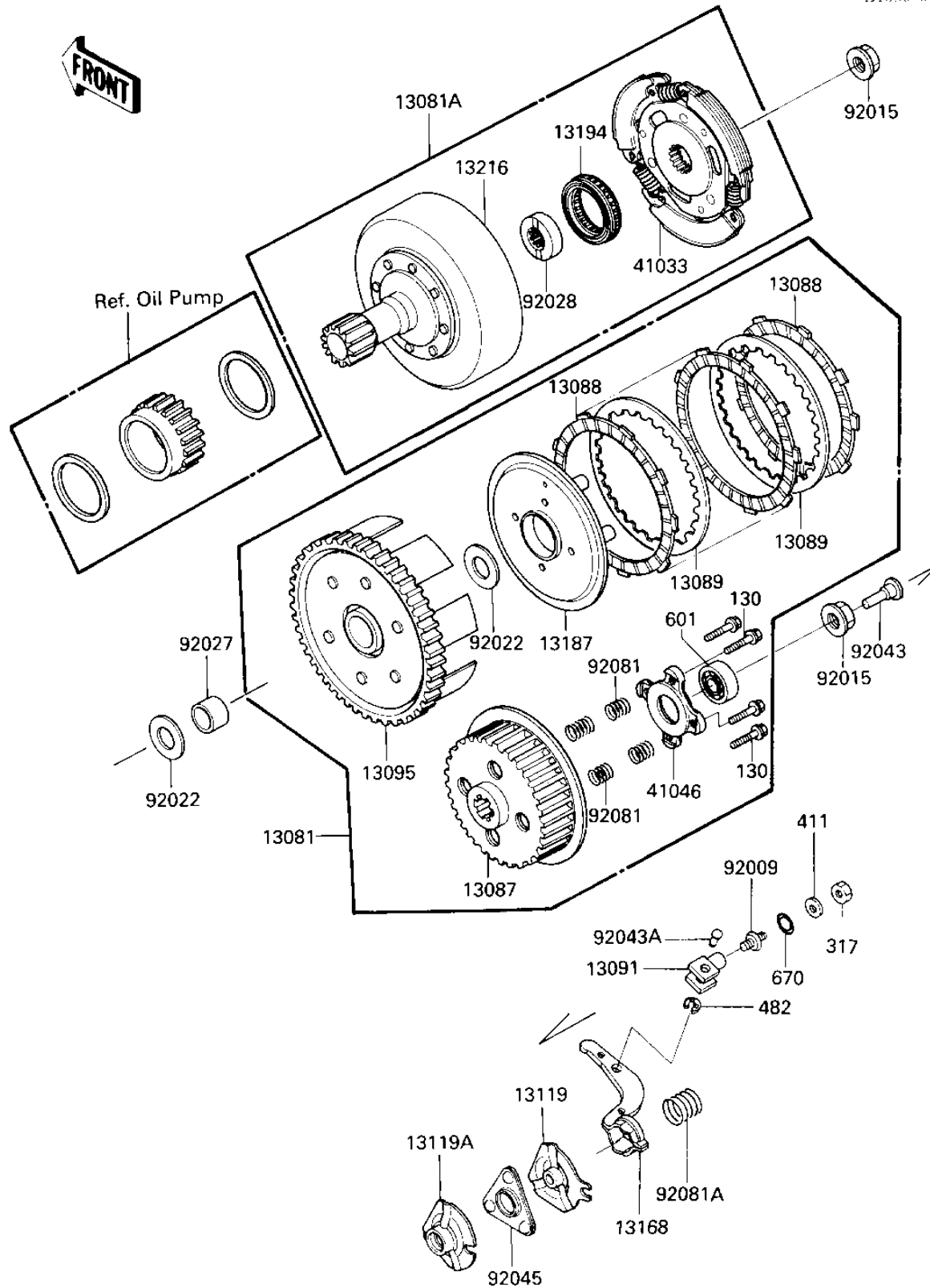


1987 KLT185 PARTS DIAGRAM

CLUTCH

1E15-007-0120



1987 KLT185 PARTS LIST

CLUTCH

ITEM NAME	PART NUMBER	QUANTITY
CLUTCH-ASSY (Ref # 13081)	13081-1205	1
CLUTCH-ASSY,FR,ENGINE (Ref # 13081A)	13081-1209	1
HUB-CLUTCH (Ref # 13087)	13087-1054	1
PLATE-FRICTION (Ref # 13088)	13088-1016	5
PLATE-CLUTCH (Ref # 13089)	13089-1012	4
HOLDER,CLUTCH RELEASE (Ref # 13091)	13091-1341	1
HOUSING-COMP-CLUTCH (Ref # 13095)	13095-1134	1
CAM-RELEASE (Ref # 13119)	13119-1060	1
CAM-RELEASE (Ref # 13119A)	13119-1054	1
LEVER,CLUTCH RELEASE (Ref # 13168)	13168-1223	1
PLATE-CLUTCH OPERATIN (Ref # 13187)	13187-1051	1
CLUTCH-ONEWAY (Ref # 13194)	13194-1055	1
GEAR-COMP,CLUTCH (Ref # 13216)	13216-1055	1
HUB-ASSY,CLUTCH (Ref # 41033)	41033-1567	1
HOUSING-BEARING (Ref # 41046)	41046-1055	1
SCREW,CLUTCH RELEASE (Ref # 92009)	92009-1303	1
NUT (Ref # 92015)	92015-1465	2
WASHER-CLUTCH THRUST (Ref # 92022)	92022-168	2
COLLAR,20X25X21 (Ref # 92027)	92027-1798	1
BUSHING,CLUTCH (Ref # 92028)	92028-1292	1
PIN,CLUTCH (Ref # 92043)	92043-1229	1
PIN,CLUTCH RELEASE (Ref # 92043A)	92043-1230	1
RETAINER,CLUTCH RELEA (Ref # 92045)	14020-1093	1
SPRING,CLUTCH (Ref # 92081)	92081-1680	4
SPRING,SHOCKABSORBER, (Ref # 92081A)	92081-1681	1
BOLT-FLANGED,6X20 (Ref # 130)	130P0620	4
NUT,8M/M (Ref # 317)	317B0800	1
WASHER PLAIN 8MM (Ref # 411)	411B0800	1
CIRCLIP 6MM (Ref # 482)	482J6000	1

1987 KLT185 PARTS LIST

CLUTCH

ITEM NAME	PART NUMBER	QUANTITY
BEARING BALL #6201 (Ref # 601)	601B6201	1
"O" RING,8MM (Ref # 670)	670B1508	1