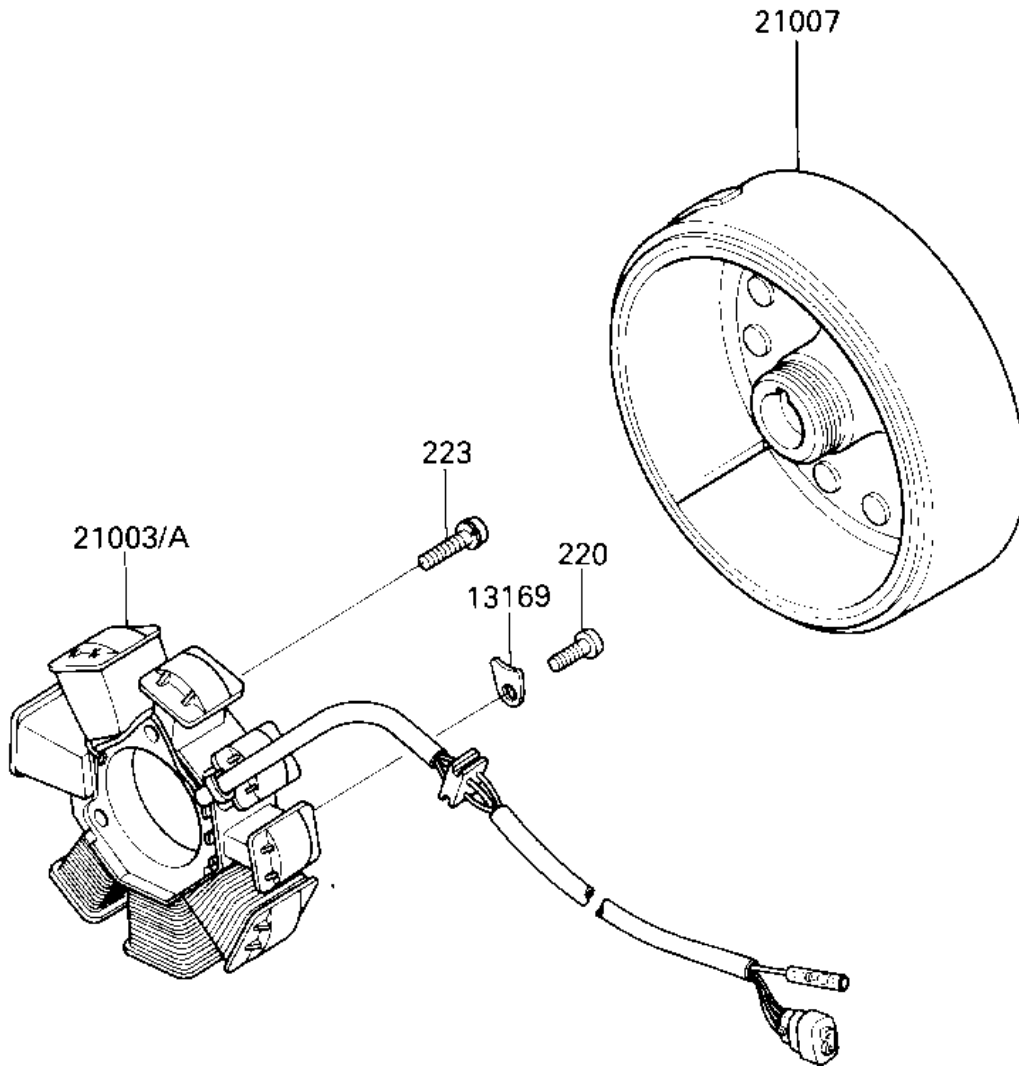


1987 KLT185 PARTS DIAGRAM

GENERATOR

EJ181U-0142



1987 KLT185 PARTS LIST

GENERATOR

ITEM NAME	PART NUMBER	QUANTITY
PLATE,HARNESS (Ref # 13169)	13169-1788	1
STATOR (Ref # 21003A)	21003-1163	1
ROTOR (Ref # 21007)	21007-1138	1
SCREW PAN HEAD 6X12 (Ref # 220)	220B0612	1
SCREW-PAN-WS-CROS (Ref # 223)	223B0530	3