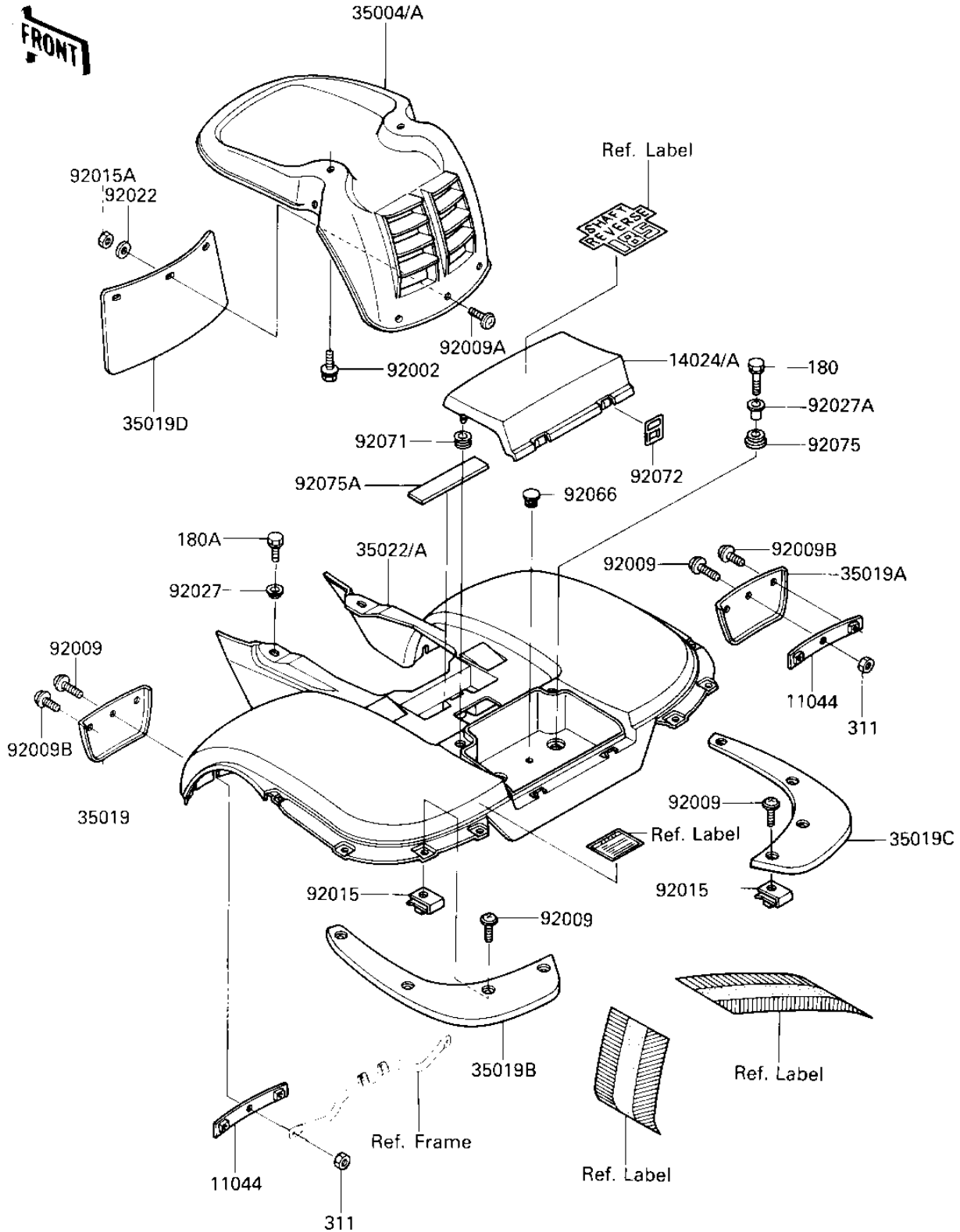


1987 KLT185 PARTS DIAGRAM

FENDERS

PC167F0300



1987 KLT185 PARTS LIST

FENDERS

ITEM NAME	PART NUMBER	QUANTITY
BRACKET,FLAP (Ref # 11044)	11044-1385	2
COVER,REAR FENDER (Ref # 14024)	14024-1103-6D	1
COVER,REAR FENDER RED (Ref # 14024A)	14024-1103-6L	1
FENDER-FR,EBONY (Ref # 35004)	35004-1160-6D	1
FENDER-FRONT,F.RED (Ref # 35004A)	35004-1160-6L	1
FLAP,FRONT,LH (Ref # 35019)	35019-1154	1
FLAP,FRONT,RH (Ref # 35019A)	35019-1155	1
FLAP,REAR,LH (Ref # 35019B)	35019-1156	1
FLAP,REAR,RH (Ref # 35019C)	35019-1157	1
FLAP,REAR FENDER (Ref # 35019D)	35019-1212	1
FENDER-COMP-REAR (Ref # 35022)	35022-1215-6D	1
FENDER-COMP-REAR RED (Ref # 35022A)	35022-1215-6L	1
BOLT,6X18 (Ref # 92002)	92001-1944	4
SCREW (Ref # 92009)	92009-1663	10
SCREW,6X14 (Ref # 92009A)	92009-1287	3
SCREW,6X14 (Ref # 92009B)	92009-1288	4
NUT,CASSETTE DECK (Ref # 92015)	92015-1248	8
NUT,6MM (Ref # 92015A)	92015-1410	3
WASHER 6.5X20X1.6T (Ref # 92022)	92022-125	3
COLLAR (Ref # 92027)	92027-122	2
COLLAR (Ref # 92027A)	92027-1767	2
RUBBER PLUG (Ref # 92066)	92074-038	1
GROMMET (Ref # 92071)	92071-056	2
BAND (Ref # 92072)	92072-1182	2
DAMPER RUBBER (Ref # 92075)	92075-112	2
DAMPER,TOOL (Ref # 92075A)	92075-1799	1
BOLT-UPSET-WS (Ref # 180)	180C0622	2
BOLT-UPSET-WS (Ref # 180A)	180D0614	2
NUT 6MM (Ref # 311)	311B0600	2