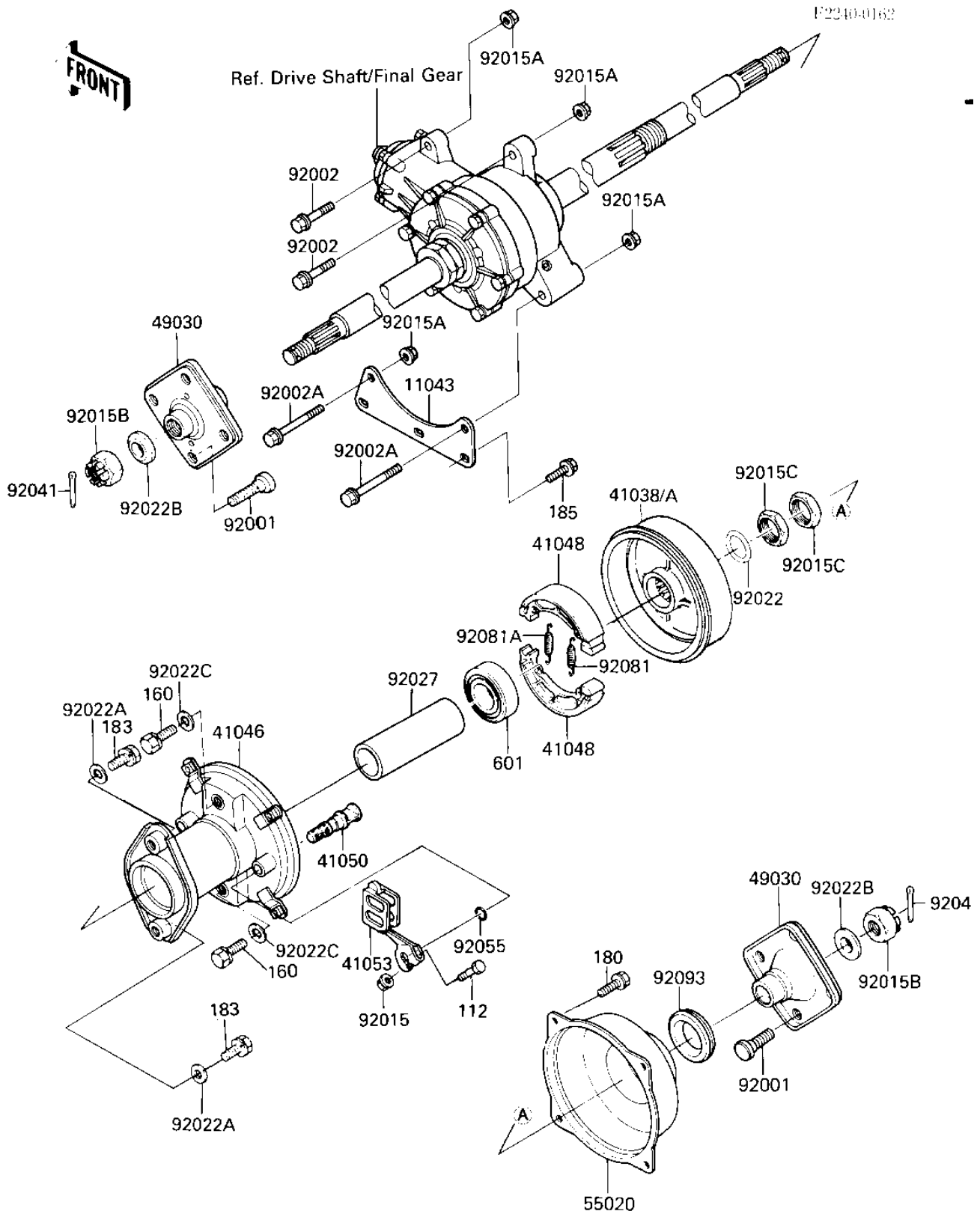


1987 KLT185 PARTS DIAGRAM

REAR HUB/BRAKE



1987 KLT185 PARTS LIST

REAR HUB/BRAKE

ITEM NAME	PART NUMBER	QUANTITY
BRACKET (Ref # 11043)	11043-1550	1
DRUM,REAR BRAKE (Ref # 41038A)	41038-1174	1
HOUSING-BEARING (Ref # 41046)	41046-1056	1
SHOE-BRAKE (Ref # 41048)	41048-1088	2
CAM SHAFT,REAR BRAKE (Ref # 41050)	42026-026	1
LEVER-BRAKE CAM (Ref # 41053)	41053-4004	1
HUB-RR.G.SILVER (Ref # 49030)	49030-1075-F2	2
GUARD,RR-BRAKE-DRUM (Ref # 55020)	55020-4036	1
BOLT,LUG (Ref # 92001)	92001-4006	8
BOLT,FLANGED,10X38 (Ref # 92002)	92002-1313	2
BOLT,FLANGED,10X70 (Ref # 92002A)	92002-1315	2
NUT-6MM (Ref # 92015)	92015-1078	1
NUT,FLANGED,10MM (Ref # 92015A)	92015-1428	4
NUT CASTLE,18MM (Ref # 92015B)	42045-018	2
NUT,LOCK,32MM (Ref # 92015C)	92015-1493	2
WASHER,32.5X43X2.3 (Ref # 92022)	92022-1225	1
WASHER,9X24X3.2 (Ref # 92022A)	92022-1295	2
WASHER,18.3X34X4.5 (Ref # 92022B)	92022-1658	2
WASHER,12.5X28X4.5 (Ref # 92022C)	92022-4037	2
COLLAR,RR HUB,L=124.5 (Ref # 92027)	92027-1758	1
COTTER,4.0X35 (Ref # 92041)	92041-1053	2
"O" RING,11MM (Ref # 92055)	92055-004	1
SPRING,BRAKE SHOE (Ref # 92081)	92081-1550	1
SPRING,BRAKE SHOE (Ref # 92081A)	92081-1766	1
SEAL (Ref # 92093)	92093-4008	1
BOLT-UPSET (Ref # 112)	112H0640	1
BOLT-FINE-WS (Ref # 160)	160H1225	2
BOLT-UPSET-WS (Ref # 180)	180D0612	4
BOLT-UPSET-WS-SMALL (Ref # 183)	183H0814	2

1987 KLT185 PARTS LIST

REAR HUB/BRAKE

ITEM NAME	PART NUMBER	QUANTITY
BOLT-UPSET-WSP-SMALL (Ref # 185)	185H0818	3
BEARING-BALL (Ref # 601)	601A6007UU	1