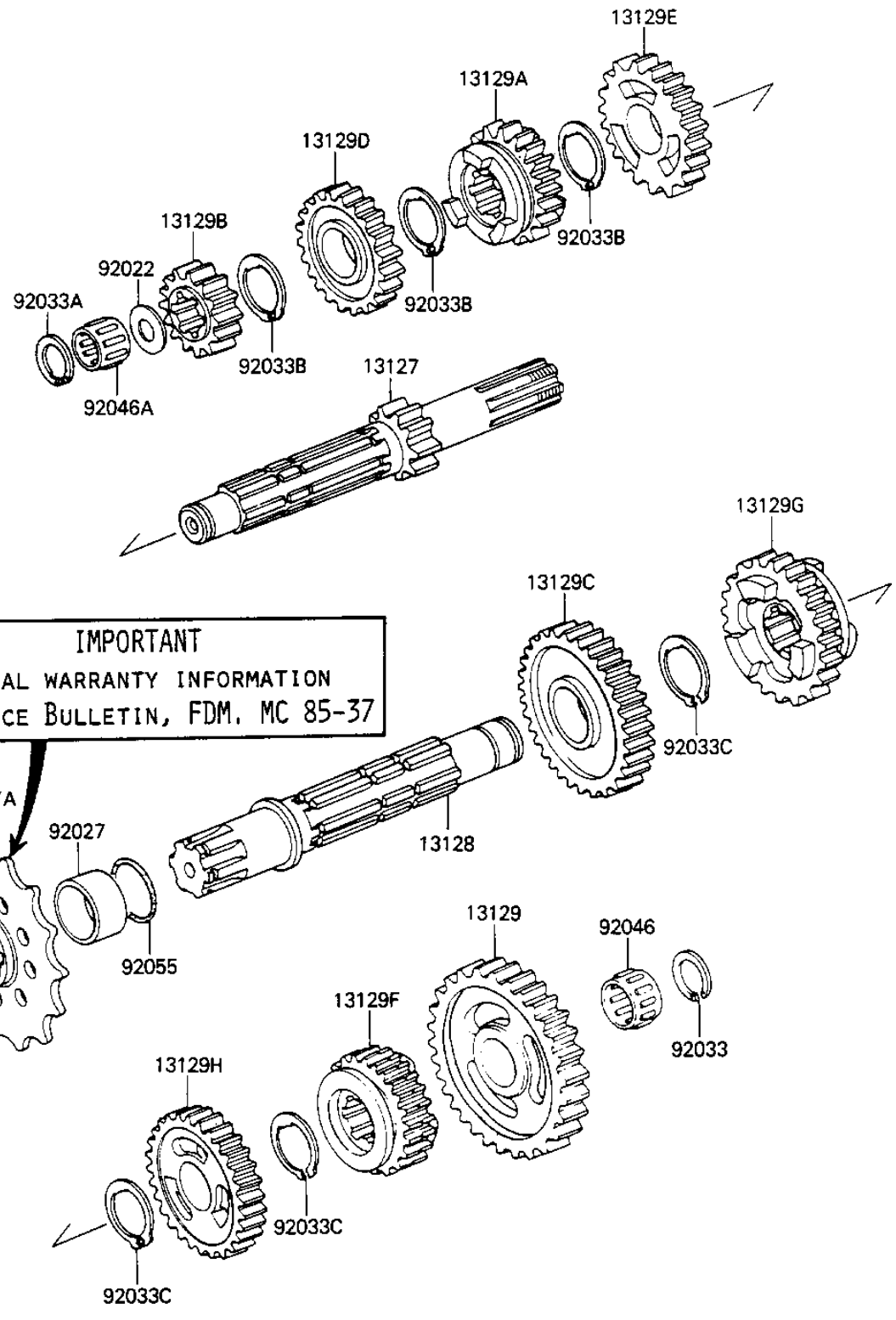


1986 Tecate PARTS DIAGRAM

TRANSMISSION

E1361-0168



IMPORTANT
FOR SPECIAL WARRANTY INFORMATION
SEE SERVICE BULLETIN, FDM, MC 85-37

1986 Tecate PARTS LIST

TRANSMISSION

ITEM NAME	PART NUMBER	QUANTITY
SHAFT-TRANSMISSION IN (Ref # 13127)	13127-1120	1
SHAFT-TRANSMISSION OU (Ref # 13128)	13128-1047	1
LOW GEAR,OUTPUT,32T (Ref # 13129)	13129-1160	1
GEAR,INPUT 3RD,18T (Ref # 13129A)	13129-1956	1
GEAR,INPUT 2ND,17T (Ref # 13129B)	13129-1392	1
GEAR,OUTPUT 2ND,30T (Ref # 13129C)	13129-1394	1
GEAR,INPUT 4TH,20T (Ref # 13129D)	13129-1526	1
GEAR,INPUT TOP,28T (Ref # 13129E)	13129-1527	1
GEAR,OUTPUT TOP,26T (Ref # 13129F)	13129-1529	1
GEAR,OUTPUT 4TH,22T (Ref # 13129G)	13129-1762	1
GEAR,OUTPUT,3RD 25T (Ref # 13129H)	13129-1763	1
SPROCKET-OUTPUT (Ref # 13144)	13144-1133	1
ENGINE SPROCKET,14T (Ref # 13144A)	13144-1006	1
WASHER,PLAIN (Ref # 92022)	92022-271	1
COLLAR,SPROCKET (Ref # 92027)	92027-1963	1
CIRCLIP,18MM (Ref # 92033)	92033-029	1
CIRCLIP,16MM (Ref # 92033A)	92033-032	1
RING-SNAP (Ref # 92033B)	92033-1231	3
RING-SNAP,25MM (Ref # 92033C)	92033-1089	4
BEARING-NEEDLE,KT2026 (Ref # 92046)	92046-1170	1
BEARING-NEEDLE (Ref # 92046A)	92046-1184	1
"O" RING (Ref # 92055)	92055-035	1