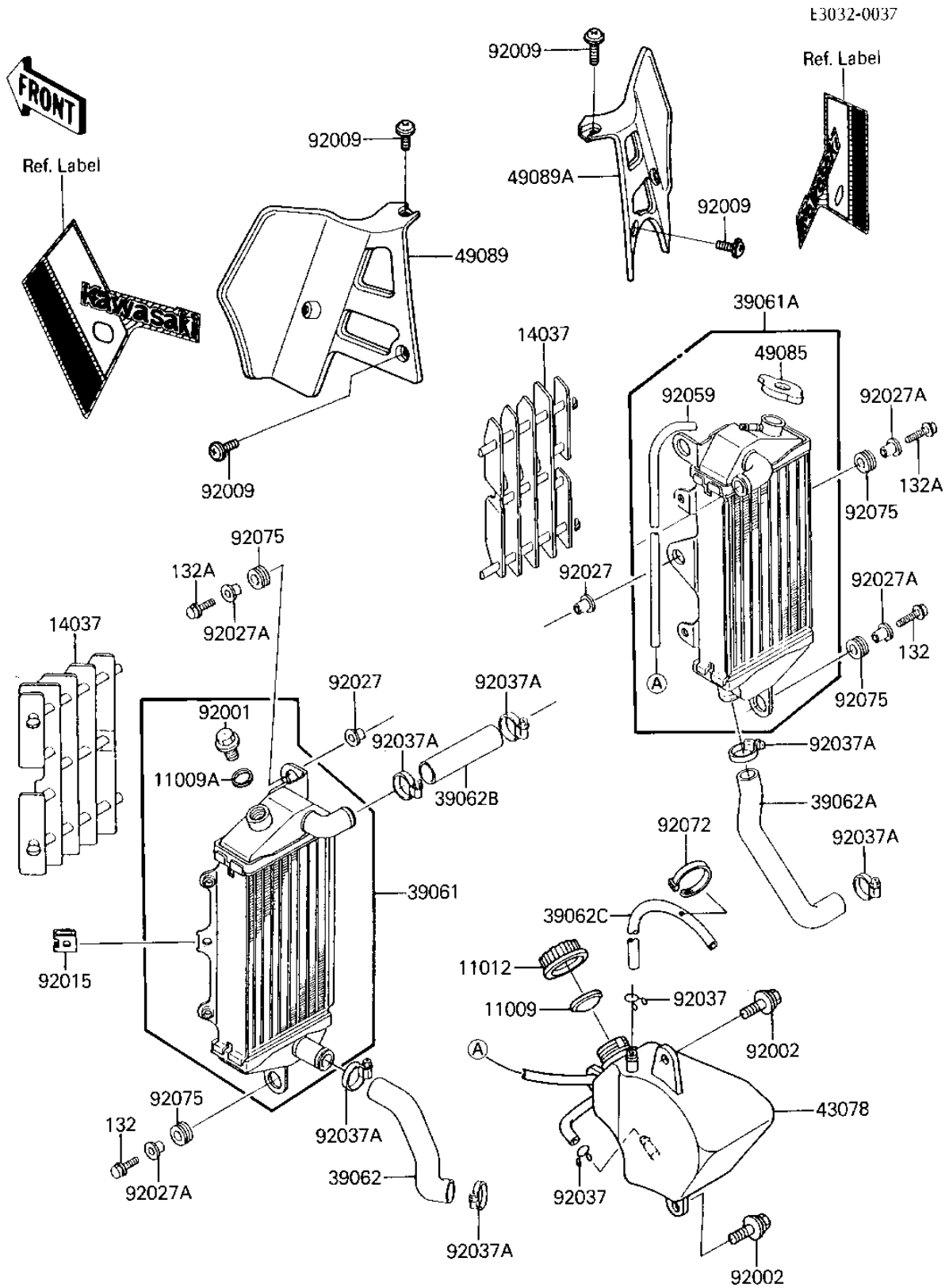


1986 Tecate PARTS DIAGRAM

RADIATOR/COOLANT TANK



1986 Tecate PARTS LIST

RADIATOR/COOLANT TANK

ITEM NAME	PART NUMBER	QUANTITY
GASKET,RESERVE TANK (Ref # 11009)	11009-1145	1
GASKET,DRAIN PLUG (Ref # 11009A)	11009-1152	1
CAP,RESERVE TANK (Ref # 11012)	11012-1084	1
SCREEN,RADIATOR,EBONY (Ref # 14037)	14037-1077-6C	2
RADIATOR-ASSY,LH (Ref # 39061)	39061-1079	1
RADIATOR-ASSY,RH (Ref # 39061A)	39061-1080	1
HOSE-COOLING,CYLINDER (Ref # 39062)	39062-1094	1
HOSE-COOLING,RADIATOR (Ref # 39062A)	39062-1095	1
HOSE-COOLING (Ref # 39062B)	39062-1184	1
HOSE-COOLING (Ref # 39062C)	39062-1187	1
RESERVOIR (Ref # 43078)	43078-1075	1
CAP-ASSY-PRESSURE (Ref # 49085)	49085-1003	1
SHROUD-ENGINE (Ref # 49089)	49089-1066-6W	1
SHROUD-ENGINE (Ref # 49089A)	49089-1067-6W	1
BOLT,RADIATOR DRAIN (Ref # 92001)	92002-1682	1
BOLT,6X14 (Ref # 92002)	92150-1340	2
SCREW,6X10 (Ref # 92009)	92009-1286	6
NUT (Ref # 92015)	92015-1487	2
COLLAR (Ref # 92027)	92027-1045	4
COLLAR,RADIATOR GUARD (Ref # 92027A)	92027-1183	6
CLAMP,CHAIN OILER (Ref # 92037)	92037-147	2
CLAMP,COOLING HOSE (Ref # 92037A)	92037-1589	6
TUBE,5X9X800 (Ref # 92059)	92059-1383	1
BAND (Ref # 92072)	92072-3505	1
DAMPER,RADIATOR (Ref # 92075)	92075-1352	6
BOLT-FLANGED-SMALL (Ref # 132)	132G0620	2
BOLT-FLANGED-SMALL (Ref # 132A)	132G0630	4