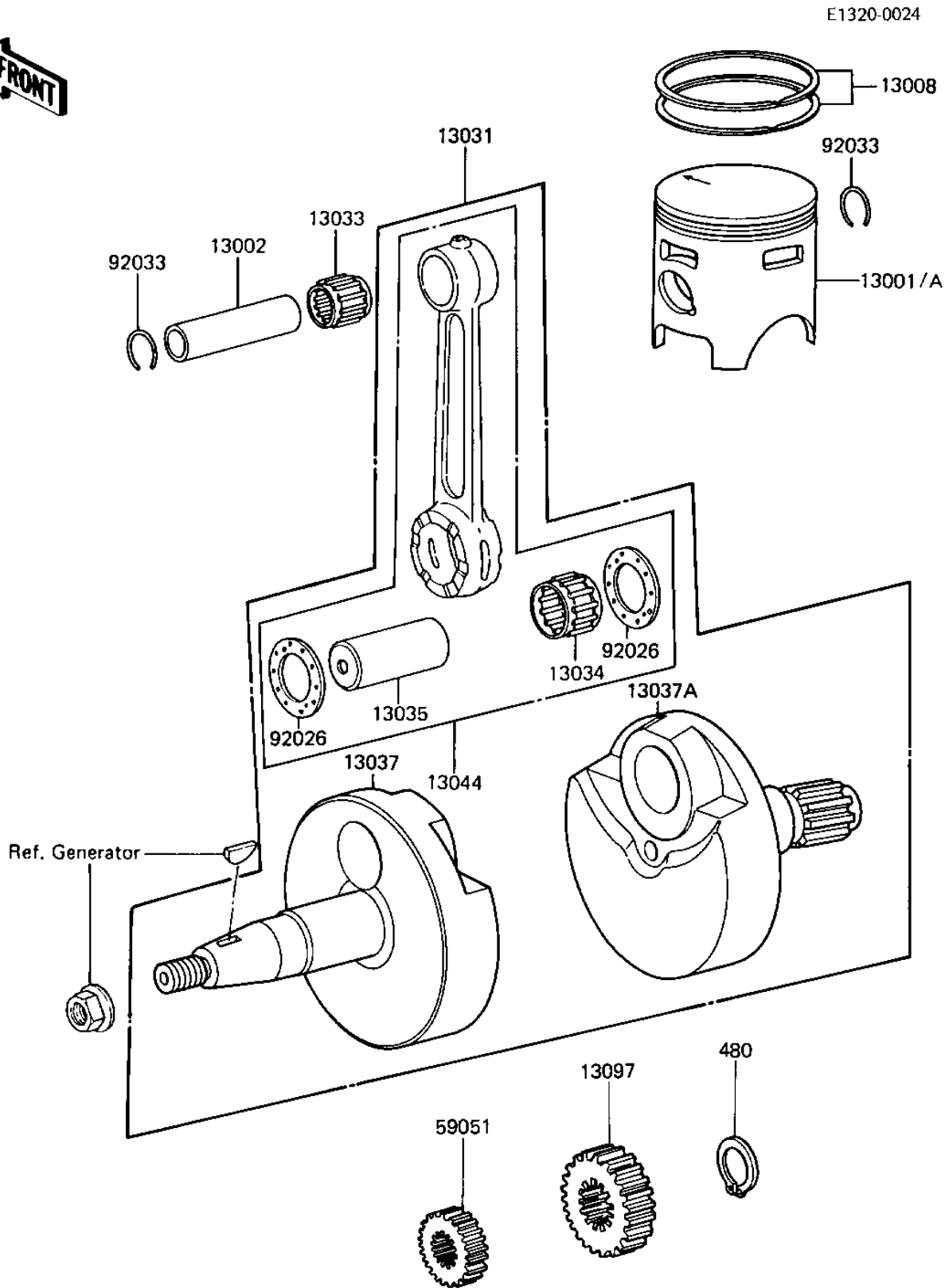


1987 KX80 PARTS DIAGRAM

CRANKSHAFT/PISTON



E1320-0024

- 1
- 1
- 1
- 1
- 1
- 1
- 1
- 1
- 1
- 1
- 5
- 9
- 9

1987 KX80 PARTS LIST

CRANKSHAFT/PISTON

ITEM NAME	PART NUMBER	QUANTITY
PISTON-ENGINE (Ref # 13001)	13001-1241	1
PISTON-ENGINE (Ref # 13001A)	13001-1241	1
PIN-PISTON (Ref # 13002)	13002-1079	1
RING-SET-PISTON (Ref # 13008)	13008-5052	1
CRANKSHAFT-COMP (Ref # 13031)	13031-1284	1
BEARING-NEEDLE,14R181 (Ref # 13033)	13033-1003	1
BEARING-BIG END,H22X2 (Ref # 13034)	13034-1072	1
PIN-CRANK (Ref # 13035)	13035-1054-01	1
CRANKSHAFT,LH (Ref # 13037)	13037-1269	1
CRANKSHAFT,RH (Ref # 13037A)	13037-1270	1
SET-CONNECTING ROD (Ref # 13044)	13044-5053	1
GEAR-PRIMARY SPUR,20T (Ref # 13097)	13097-1148	1
GEAR-SPUR,PUMP,22T (Ref # 59051)	59051-1146	1
WASHER SIDE (Ref # 92026)	92026-011	2
CIRCLIP PISTON PIN (Ref # 92033)	92036-003	2
CIRCLIP 16MM (Ref # 480)	480J1600	1