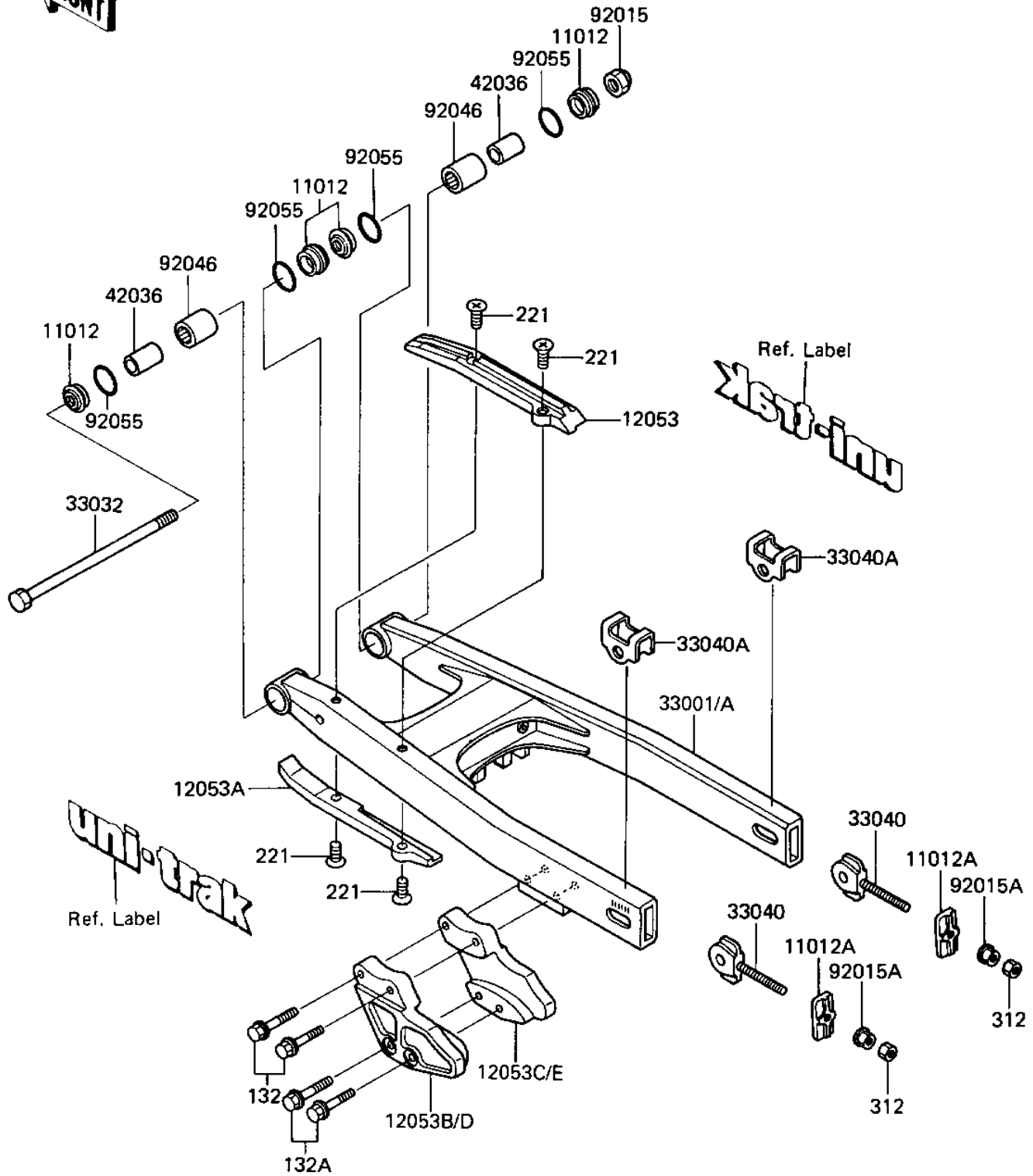


1986 KX80 PARTS DIAGRAM

SWING ARM

F2141-0027



1986 KX80 PARTS LIST

SWING ARM

ITEM NAME	PART NUMBER	QUANTITY
CAP,SWING ARM (Ref # 11012)	11012-1263	4
CAP,SWING ARM (Ref # 11012A)	11012-1411	2
GUIDE-CHAIN,FR,UPP (Ref # 12053)	12053-1132	1
GUIDE-CHAIN,FR,LWR (Ref # 12053A)	12053-1133	1
GUIDE-CHAIN,RR,LH (Ref # 12053B)	12053-1177	1
GUIDE-CHAIN,RR,RH (Ref # 12053C)	12053-1178	1
ARM-COMP-SWING (Ref # 33001)	33001-1243	1
SHAFT-SWING ARM (Ref # 33032)	33032-1116	1
ADJUSTER-CHAIN (Ref # 33040)	33040-1065	2
ADJUSTER-CHAIN,OUTSID (Ref # 33040A)	33040-1066	2
SLEEVE,SWING ARM,L=34 (Ref # 42036)	42036-1067	2
NUT (Ref # 92015)	92015-1774	1
NUT-6MM (Ref # 92015A)	92015-1078	2
BEARING-NEEDLE (Ref # 92046)	92046-1046	2
RING-0,SWING ARM (Ref # 92055)	92055-1240	4
BOLT-FLANGED-SMALL (Ref # 132)	132G0640	2
BOLT-FLANGED-SMALL (Ref # 132A)	132G0645	2
SCREW CNTSNK HD 6X10 (Ref # 221)	221B0610	4
NUT 6MM (Ref # 312)	312B0600	2