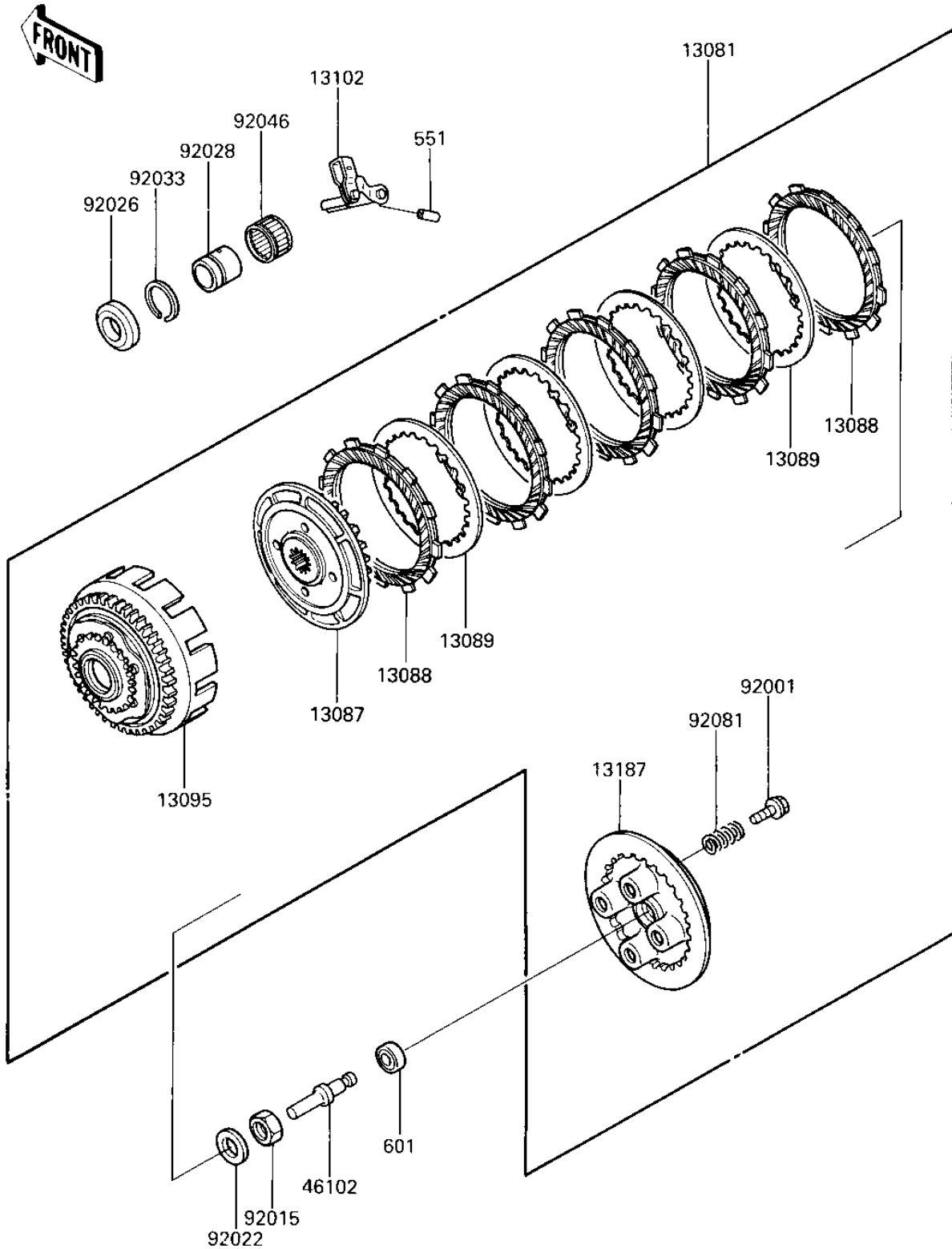


# 1986 Ninja® 250R PARTS DIAGRAM

CLUTCH

E1350-0132



# 1986 Ninja® 250R PARTS LIST

## CLUTCH

| ITEM NAME                           | PART NUMBER | QUANTITY |
|-------------------------------------|-------------|----------|
| CLUTCH-ASSY (Ref # 13081)           | 13081-1226  | 1        |
| HUB-CLUTCH (Ref # 13087)            | 13087-1076  | 1        |
| PLATE-FRICTION (Ref # 13088)        | 13088-1013  | 5        |
| PLATE,CLUTCH STEEL (Ref # 13089)    | 13089-026   | 4        |
| HOUSING-COMP-CLUTCH (Ref # 13095)   | 13095-1145  | 1        |
| RELEASE-COMP-CLUTCH (Ref # 13102)   | 13102-1079  | 1        |
| PLATE-CLUTCH OPERATIN (Ref # 13187) | 13187-1057  | 1        |
| ROD (Ref # 46102)                   | 46102-1030  | 1        |
| BOLT,CLUTCH SPR FITT (Ref # 92001)  | 92001-1066  | 4        |
| NUT 20MM (Ref # 92015)              | 92016-028   | 1        |
| WASHER,PLAIN,2.3X20.3 (Ref # 92022) | 92022-1116  | 1        |
| SPACER,THRUST,T=5.5MM (Ref # 92026) | 92026-116   | 1        |
| BUSHING,CLUTCH (Ref # 92028)        | 92028-1414  | 1        |
| RING-SNAP (Ref # 92033)             | 92033-1212  | 1        |
| BEARING,KTV323723 (Ref # 92046)     | 92046-028   | 1        |
| SPRING,CLUTCH (Ref # 92081)         | 92081-139   | 4        |
| PIN DOWEL 3X12 (Ref # 551)          | 551A0312    | 1        |
| BEARING-BALL (Ref # 601)            | 92045-1235  | 1        |