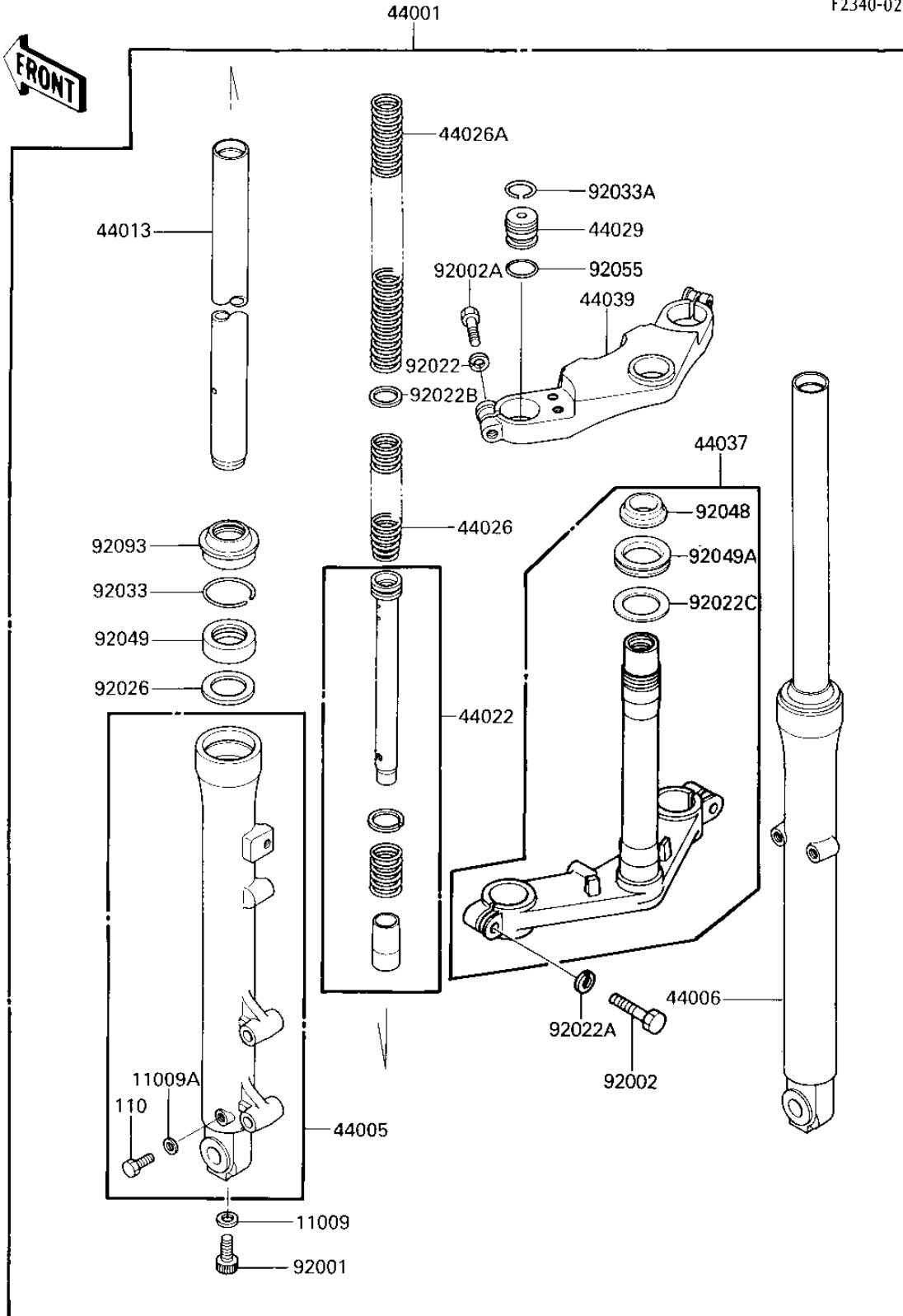


# 1986 Ninja® 250R PARTS DIAGRAM

## FRONT FORK

F2340-0272



# 1986 Ninja® 250R PARTS LIST

## FRONT FORK

ITEM NAME	PART NUMBER	QUANTITY
GASKET,FORK CYL BOLT (Ref # 11009)	44045-051	2
GASKET,DRAIN PLUG (Ref # 11009A)	44045-047	2
FORK-FRONT (Ref # 44001)	44001-1621	1
PIPE-LEFT FORK OUTER (Ref # 44005)	44005-1247	1
PIPE-RIGHT FORK OUTER (Ref # 44006)	44006-1246	1
PIPE-FORK INNER (Ref # 44013)	44013-1250	2
CYLINDER-FORK (Ref # 44022)	44022-1194	2
SPRING-FRONT FORK,LWR (Ref # 44026)	44026-1334	2
SPRING-FRONT FORK,UPP (Ref # 44026A)	44026-1335	2
SEAT-FORK SPRING (Ref # 44029)	44029-1124	2
HOLDER-FORK UNDER (Ref # 44037)	44037-1223	1
HOLDER-FORK UPPER (Ref # 44039)	44039-1136	1
BOLT,FORK DRAIN (Ref # 92001)	92001-1464	2
BOLT,10X32 (Ref # 92002)	92002-1811	2
BOLT (Ref # 92002A)	92002-1812	2
WASHER,SPRING,8MM (Ref # 92022)	92022-1703	2
WASHER,SPRING,10MM (Ref # 92022A)	92022-1704	2
WASHER,SPRING JOINT (Ref # 92022B)	92022-1821	2
WASHER,PLAIN (Ref # 92022C)	92022-231	1
SPACER,OUTER TUBE (Ref # 92026)	92026-1275	2
RING-SNAP,FORK (Ref # 92033)	92033-1219	2
RING-SNAP,FORK TOP (Ref # 92033A)	92033-1220	2
CONE,STEERING STEM (Ref # 92048)	92047-012	1
SEAL-OIL,FORK (Ref # 92049)	92049-1268	2
OIL SEAL,STEERING STM (Ref # 92049A)	92056-003	1
RING-O,FORK SPRING SE (Ref # 92055)	92055-1359	2
SEAL,FORK (Ref # 92093)	92093-1230	2
BOLT HEX HEAD 6X8 (Ref # 110)	110B0608	2