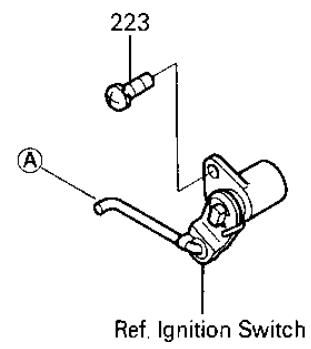
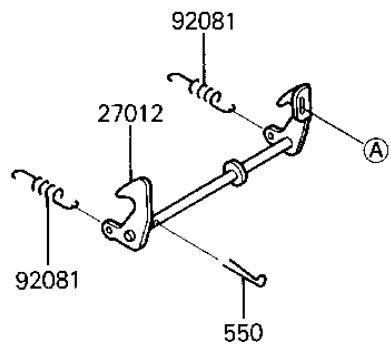
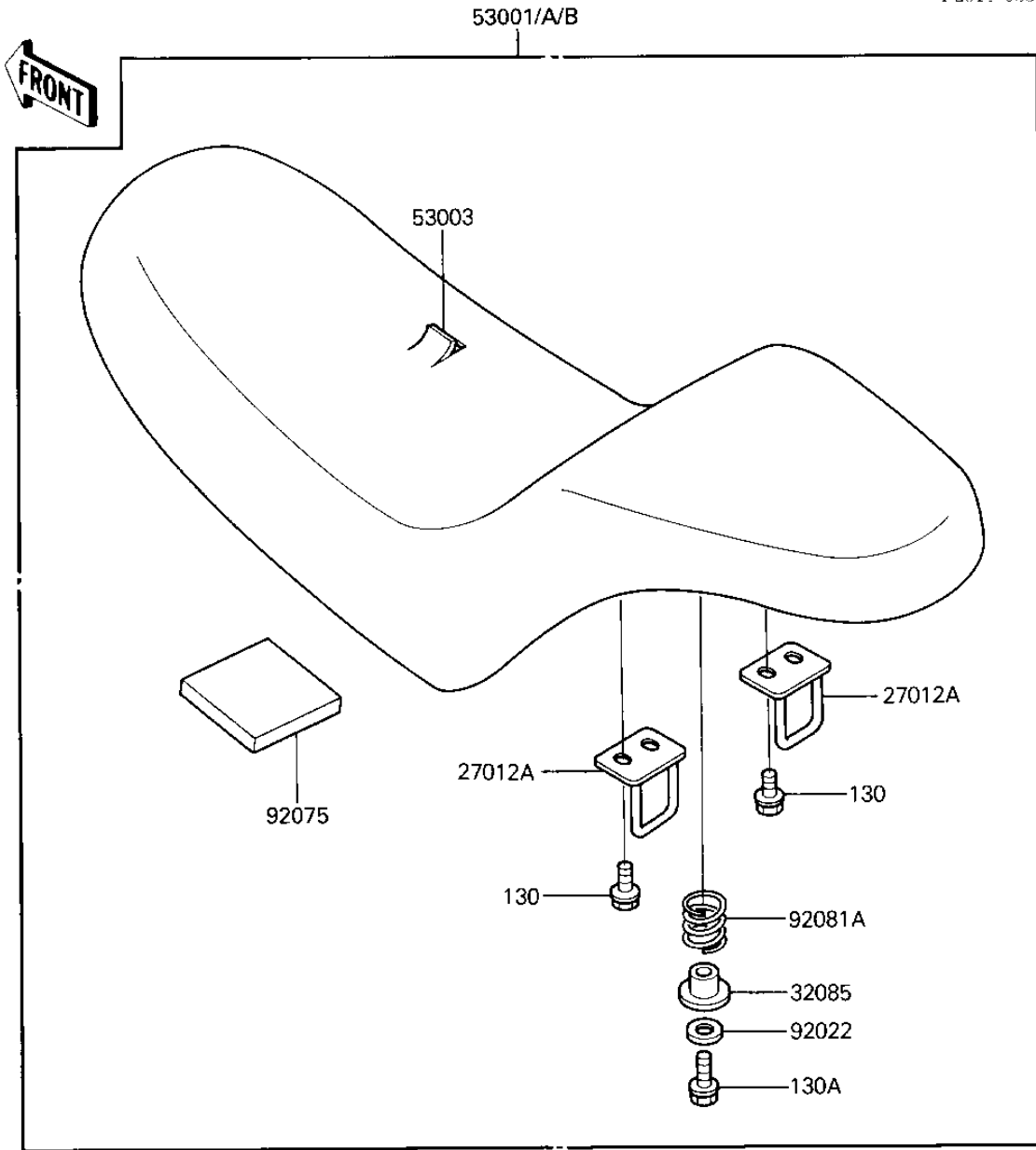


1986 ZL600 Eliminator PARTS DIAGRAM

SEAT

F2510-0331



1986 ZL600 Eliminator PARTS LIST

SEAT

ITEM NAME	PART NUMBER	QUANTITY
HOOK,SEAT LOCK (Ref # 27012)	27012-1356	1
HOOK, SEAT (Ref # 27012A)	53008-021	4
STOPPER,SEAT (Ref # 32085)	32085-1167	2
SEAT-ASSY,DUAL (Ref # 53001)	53001-1464	1
SEAT-ASSY,DUAL (Ref # 53001B)	53001-1486	1
LEATHER,SEAT (Ref # 53003)	53003-1161	2
WASHER,6.5X16X2 (Ref # 92022)	92022-1565	2
DAMPER,SEAT (Ref # 92075)	92075-1877	1
SPRING,HOOK RETURN (Ref # 92081)	92081-1580	2
SPRING,SEAT (Ref # 92081A)	92081-1664	2
BOLT (Ref # 130)	130B0612	8
BOLT,FLANGED,6X25 (Ref # 130A)	130B0625	2
SCREW-PAN-WS-CROS (Ref # 223)	223B0510	2
PIN,COTTER,2.0X12 (Ref # 550)	550D2012	1