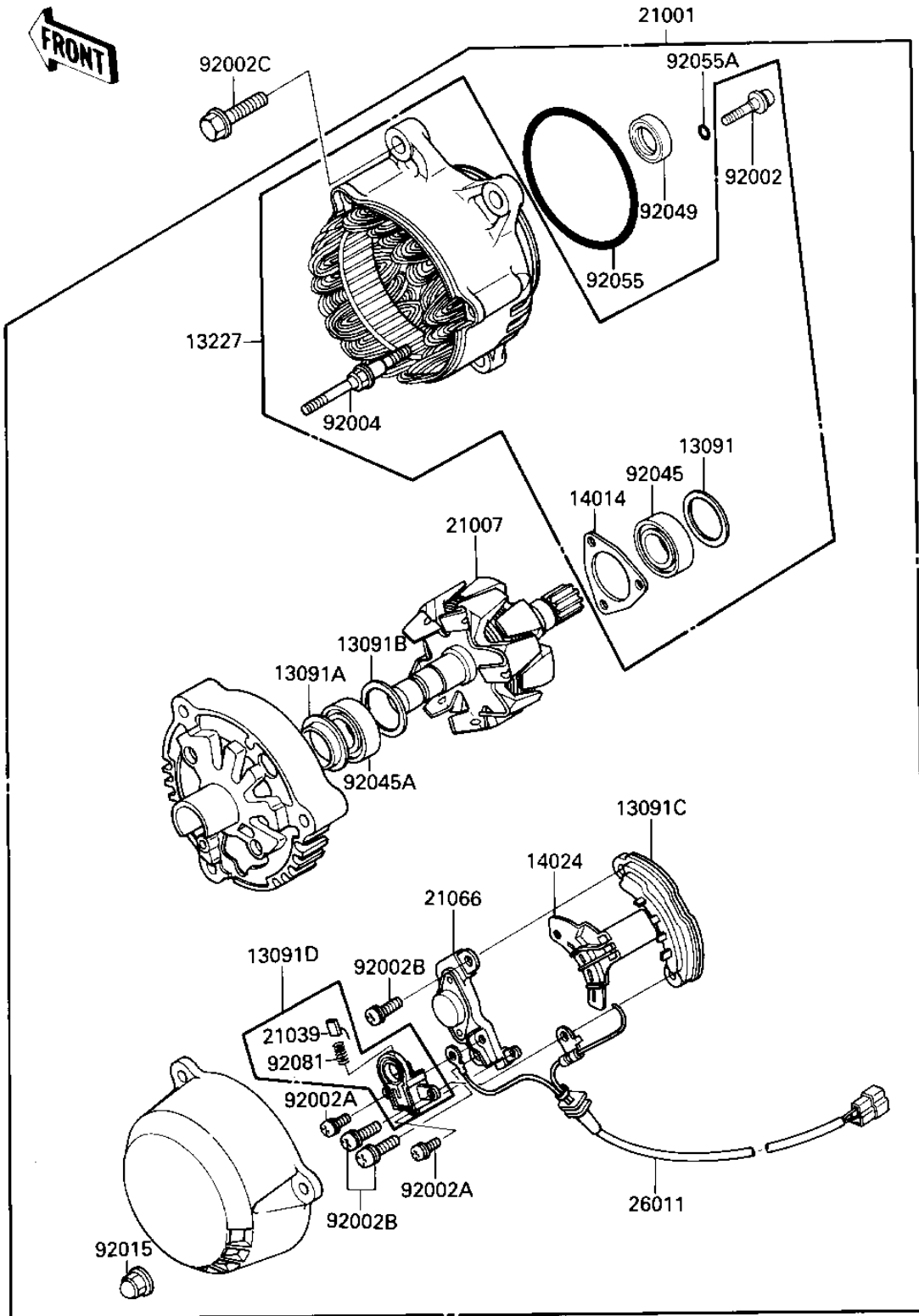


# 1986 Ninja® 1000R PARTS DIAGRAM

GENERATOR/REGULATOR

E1810-0114



# 1986 Ninja® 1000R PARTS LIST

## GENERATOR/REGULATOR

| ITEM NAME                         | PART NUMBER | QUANTITY |
|-----------------------------------|-------------|----------|
| HOLDER,BEARING (Ref # 13091)      | 13091-1326  | 1        |
| HOLDER,COVER (Ref # 13091A)       | 13091-1327  | 1        |
| HOLDER,BEARING (Ref # 13091B)     | 13091-1328  | 1        |
| RECTIFIER (Ref # 13091C)          | 13091-1329  | 1        |
| HOLDER,BRUSH (Ref # 13091D)       | 13091-1330  | 1        |
| HOUSING,GENERATOR (Ref # 13227)   | 13227-1054  | 1        |
| PLATE-POSITION (Ref # 14014)      | 14014-1065  | 1        |
| COVER,RECTIFIER (Ref # 14024)     | 14025-1942  | 1        |
| GENERATOR (Ref # 21001)           | 21001-1105  | 1        |
| ROTOR,GENERATOR (Ref # 21007)     | 21007-1123  | 1        |
| BRUSH,CARBON (Ref # 21039)        | 21039-1052  | 2        |
| REGULATOR-VOLTAGE (Ref # 21066)   | 21066-1056  | 1        |
| WIRE-LEAD,GENERATOR (Ref # 26011) | 26011-1287  | 1        |
| BOLT (Ref # 92002)                | 92002-1856  | 3        |
| BOLT (Ref # 92002A)               | 92002-1379  | 2        |
| BOLT (Ref # 92002B)               | 92002-1380  | 3        |
| BOLT,8X32 (Ref # 92002C)          | 92002-1400  | 3        |
| STUD (Ref # 92004)                | 92004-1196  | 3        |
| NUT,CAP (Ref # 92015)             | 92015-1458  | 3        |
| BEARING-BALL,#6002 (Ref # 92045)  | 92045-1132  | 1        |
| BEARING-BALL (Ref # 92045A)       | 92045-1237  | 1        |
| SEAL-OIL (Ref # 92049)            | 92049-1200  | 1        |
| RING-O,67.6MM (Ref # 92055)       | 92055-1263  | 1        |
| RING-O (Ref # 92055A)             | 92055-1264  | 3        |
| SPRING,BRUSH (Ref # 92081)        | 92081-1759  | 2        |