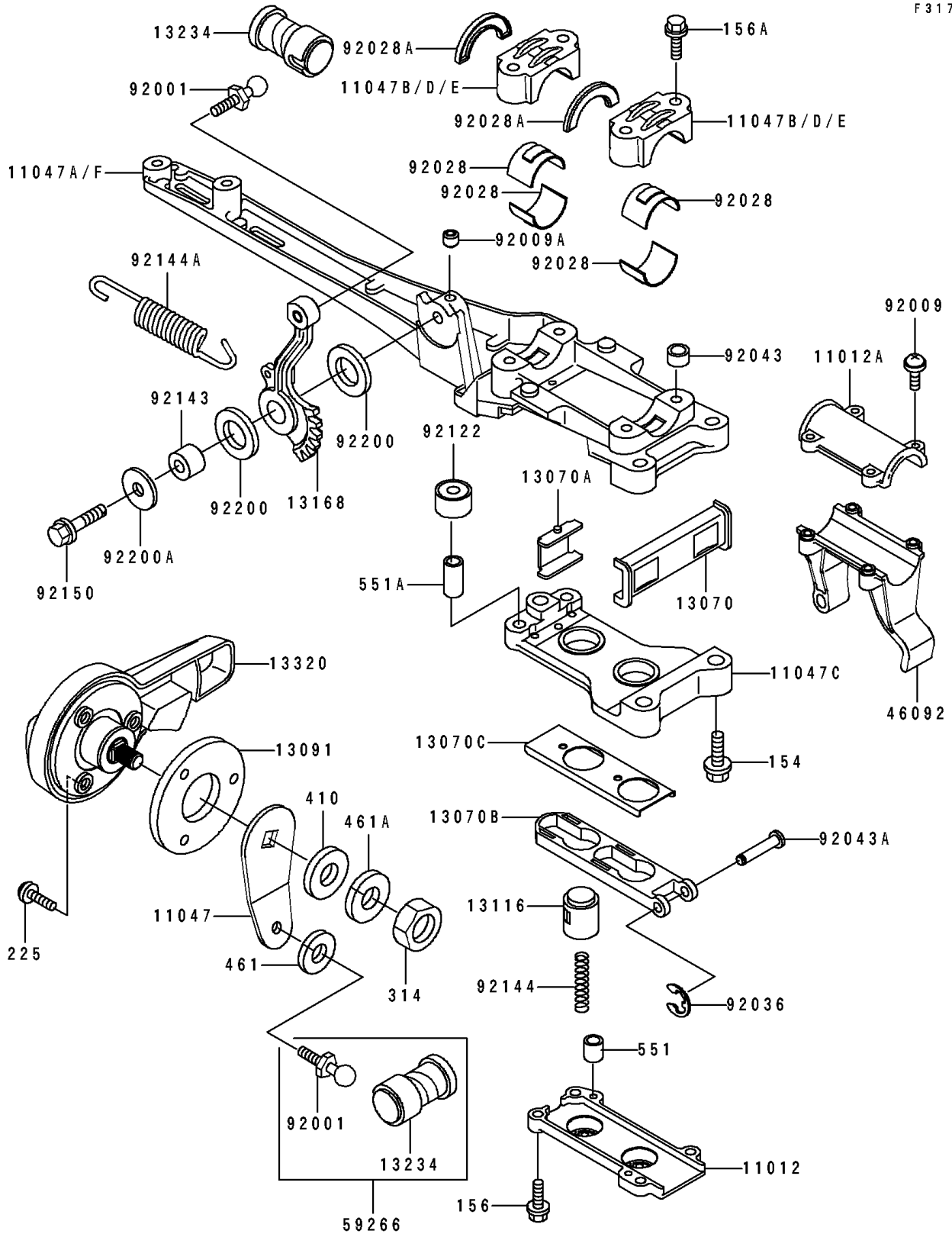


# 1994 SC PARTS DIAGRAM

## Handle Pole

F3171



# 1994 SC PARTS LIST

## Handle Pole

ITEM NAME	PART NUMBER	QUANTITY
CAP,BRACKET,LWR (Ref # 11012)	11012-3751	1
CAP,LEVER GRIP (Ref # 11012A)	11012-3755	1
BRACKET,CABLE JOINT (Ref # 11047)	11047-3723	1
BRACKET,STEERING,LWR (Ref # 11047C)	11047-3729	1
BRACKET,STEERING SHAFT (Ref # 11047D)	11047-3771	2
BRACKET,STEERING BASE (Ref # 11047F)	11047-3782	1
GUIDE,SLIDE (Ref # 13070)	13070-3703	1
GUIDE,SLIDE (Ref # 13070A)	13070-3704	1
GUIDE,SLIDE STOPPER (Ref # 13070B)	13070-3706	1
GUIDE,SLIDE STOPPER (Ref # 13070C)	13070-3707	1
HOLDER,REVERSE LEVER (Ref # 13091)	13091-3756	1
ROD-PUSH (Ref # 13116)	13116-3703	2
LEVER,STEERING (Ref # 13168)	13168-3716	1
SHAFT-COMP,JOINT (Ref # 13234)	13234-3708	2
LEVER-ASSY,REVERSE (Ref # 13320)	13320-3704	1
LEVER-GRIP,HANDLE STOPPER (Ref # 46092)	46092-3702	1
JOINT-BALL (Ref # 59266)	59266-3707	2
BOLT,BALL,6MM (Ref # 92001)	92001-3703	2
SCREW,TAPPING,4X14 (Ref # 92009)	92009-3762	4
SCREW (Ref # 92009A)	92009-3780	1
BUSHING,BUA 12.5 13.5 19 (Ref # 92028)	92028-3746	4
BUSHING,BUA 26.2 41.8 3.5 (Ref # 92028A)	92028-3747	2
RING-SNAP (Ref # 92036)	92036-518	1
PIN (Ref # 92043)	92043-3715	4
PIN,6X27.5 (Ref # 92043A)	92043-3732	1
ROLLER (Ref # 92122)	92122-3701	2
COLLAR,8.2X14X11.2 (Ref # 92143)	92143-3724	1
SPRING (Ref # 92144)	92144-3729	2
SPRING (Ref # 92144A)	92144-3734	1

## 1994 SC PARTS LIST

### Handle Pole

ITEM NAME	PART NUMBER	QUANTITY
BOLT,FLANGED,8X30 (Ref # 92150)	92150-3803	1
WASHER,14.1X25X2 (Ref # 92200)	92200-3710	2
WASHER,8.5X25X1.5 (Ref # 92200A)	92200-3717	1
BOLT-WP-SMALL,8X35 (Ref # 154)	154R0835	3
BOLT-WP,5X20 (Ref # 156)	156R0520	4
BOLT-WP (Ref # 156A)	156R0635	4
SCREW-PAN-WSP-CROS,6X16 (Ref # 225)	225R0616	3
NUT-HEX-FINE,10MM (Ref # 314)	314R1000	1
W-PLAIN-S,10MM (Ref # 410)	410S1000	1
WASHER-SPRING,6MM (Ref # 461)	461S0600	1
WASHER-SPRING,10MM (Ref # 461A)	461S1000	1
PIN-DOWEL (Ref # 551)	551R0408	2
PIN-DOWEL,6X25 (Ref # 551A)	551R0625	2