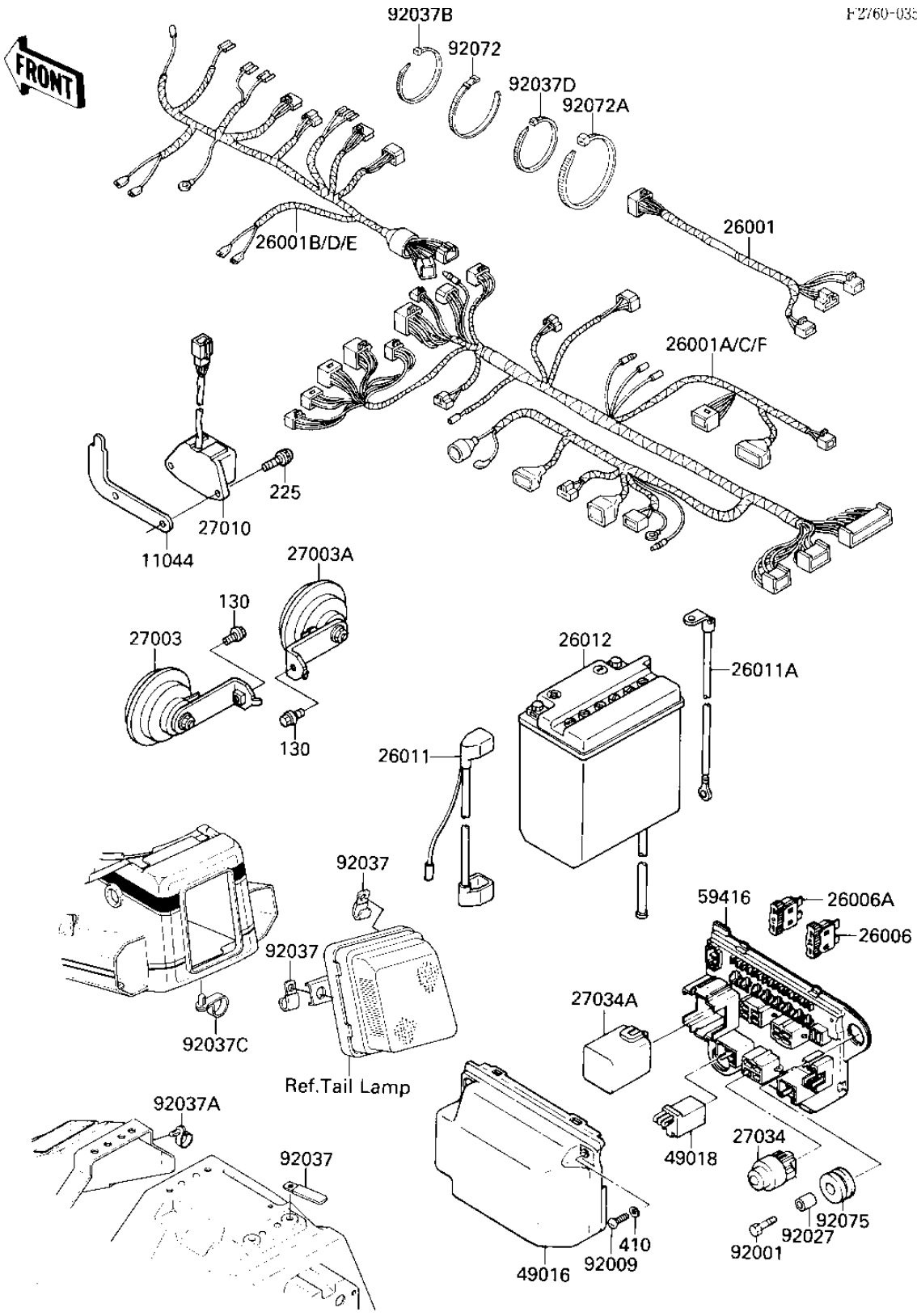


1987 Ninja® 1000R PARTS DIAGRAM

CHASSIS ELECTRICAL EQUIPMENT

F2760-0354



1987 Ninja® 1000R PARTS LIST

CHASSIS ELECTRICAL EQUIPMENT

ITEM NAME	PART NUMBER	QUANTITY
HARNESS,RR (Ref # 26001)	26001-1735	1
HARNESS,FR (Ref # 26001D)	26001-1765	1
HARNESS,MAIN (Ref # 26001F)	26001-1851	1
FUSE,30A-G (Ref # 26006)	26006-1006	2
FUSE,10A-R (Ref # 26006A)	26006-1007	6
WIRE-LEAD,BATTERY(+) (Ref # 26011)	26011-1322	1
WIRE-LEAD,BATTERY(-) (Ref # 26011A)	26011-1323	1
YUA BAT YB14L-A2 (K) (Ref # 26012)	26012-1119	1
HORN,LH (Ref # 27003)	27003-1299	1
HORN,RH (Ref # 27003A)	27003-1300	1
SWITCH,RESERV LIGHTIN (Ref # 27010)	27010-1066	1
RELAY,STARTER (Ref # 27034)	27034-1006	3
RELAY,FLASHER (Ref # 27034A)	27034-1007	1
COVER-SEAL (Ref # 49016)	49016-1050	1
DIODE (Ref # 49018)	49018-1006	2
CASE-ELECTRIC (Ref # 59416)	59416-1056	1
BOLT,6X22 (Ref # 92001)	92002-1262	2
SCREW,TAPPING,4X10 (Ref # 92009)	92009-1021	2
COLLAR,REAR FENDER (Ref # 92027)	92027-162	2
CLAMP,WIRING HARNESS (Ref # 92037)	92037-1069	3
CLAMP (Ref # 92037A)	92037-1163	1
CLAMP,SPARK PLUG CAP (Ref # 92037B)	92037-1173	1
CLAMP (Ref # 92037C)	92037-1290	1
CLAMP,HARNESS (Ref # 92037D)	92037-1576	6
BAND,WIRING HARNESS (Ref # 92072)	92072-056	2
BAND (Ref # 92072A)	92072-1197	2
DAMPER (Ref # 92075)	92075-1562	2
BOLT,FLANGED,8X14 (Ref # 130)	130G0814	2
SCREW-PAN-WSP-CROS (Ref # 225)	225B0620	2

1987 Ninja® 1000R PARTS LIST

CHASSIS ELECTRICAL EQUIPMENT

ITEM NAME	PART NUMBER	QUANTITY
WASHER PLAIN 4MM (Ref # 410)	410B0400	2