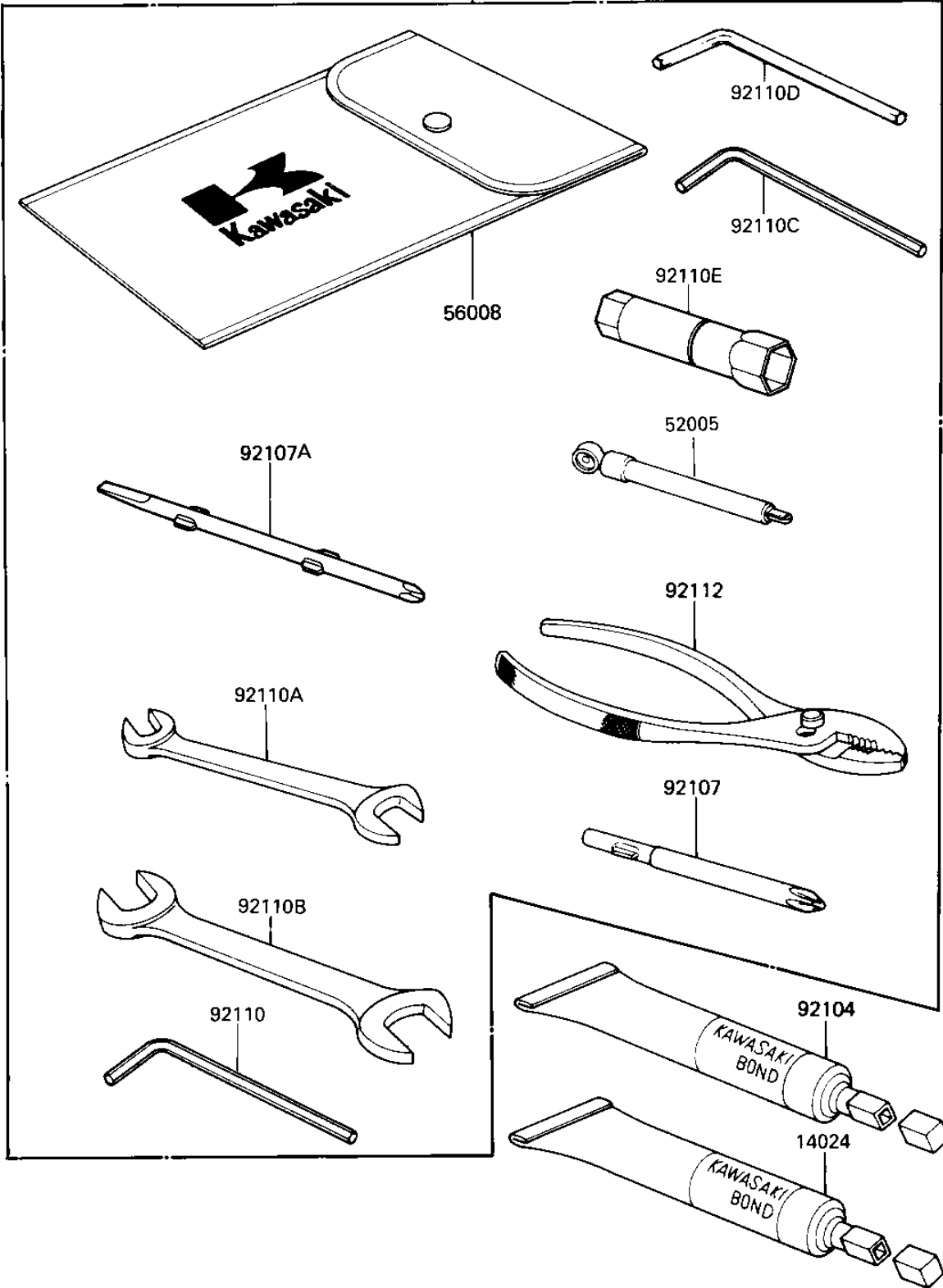


1986 Ninja® 1000R PARTS DIAGRAM

OWNER TOOLS

56007

F2810-0218



1986 Ninja® 1000R PARTS LIST

OWNER TOOLS

| ITEM NAME | PART NUMBER | QUANTITY |
|--------------------------------------|-------------|----------|
| BOND,#10 (Ref # 14024) | 56019-120 | 1 |
| GAUGE,AIR,3.5KG/CM2 (Ref # 52005) | 52005-1031 | 1 |
| TOOLKIT (Ref # 56007) | 56007-1248 | 1 |
| BAG,TOOL (Ref # 56008) | 56008-006 | 1 |
| GASKET-LIQUID,BLACK (Ref # 92104) | 92104-1003 | 1 |
| TOOL-DRIVER,#3PHILLIP (Ref # 92107) | 92107-1002 | 1 |
| TOOL-DRIVER (Ref # 92107A) | 92107-1052 | 1 |
| WRENCH,ALLEN (Ref # 92110) | 92110-1015 | 1 |
| TOOL-WRENCH,OPEN END (Ref # 92110A) | 92110-1038 | 1 |
| TOOL-WRENCH,OPEN END, (Ref # 92110B) | 92110-1153 | 1 |
| TOOL-WRENCH,ALLEN,12M (Ref # 92110C) | 92110-1104 | 1 |
| TOOL-WRENCH,ALLEN,8MM (Ref # 92110D) | 92110-1108 | 1 |
| TOOL-WRENCH,BOX,18MM (Ref # 92110E) | 92110-1118 | 1 |
| PLIERS,160MM (Ref # 92112) | 92112-003 | 1 |