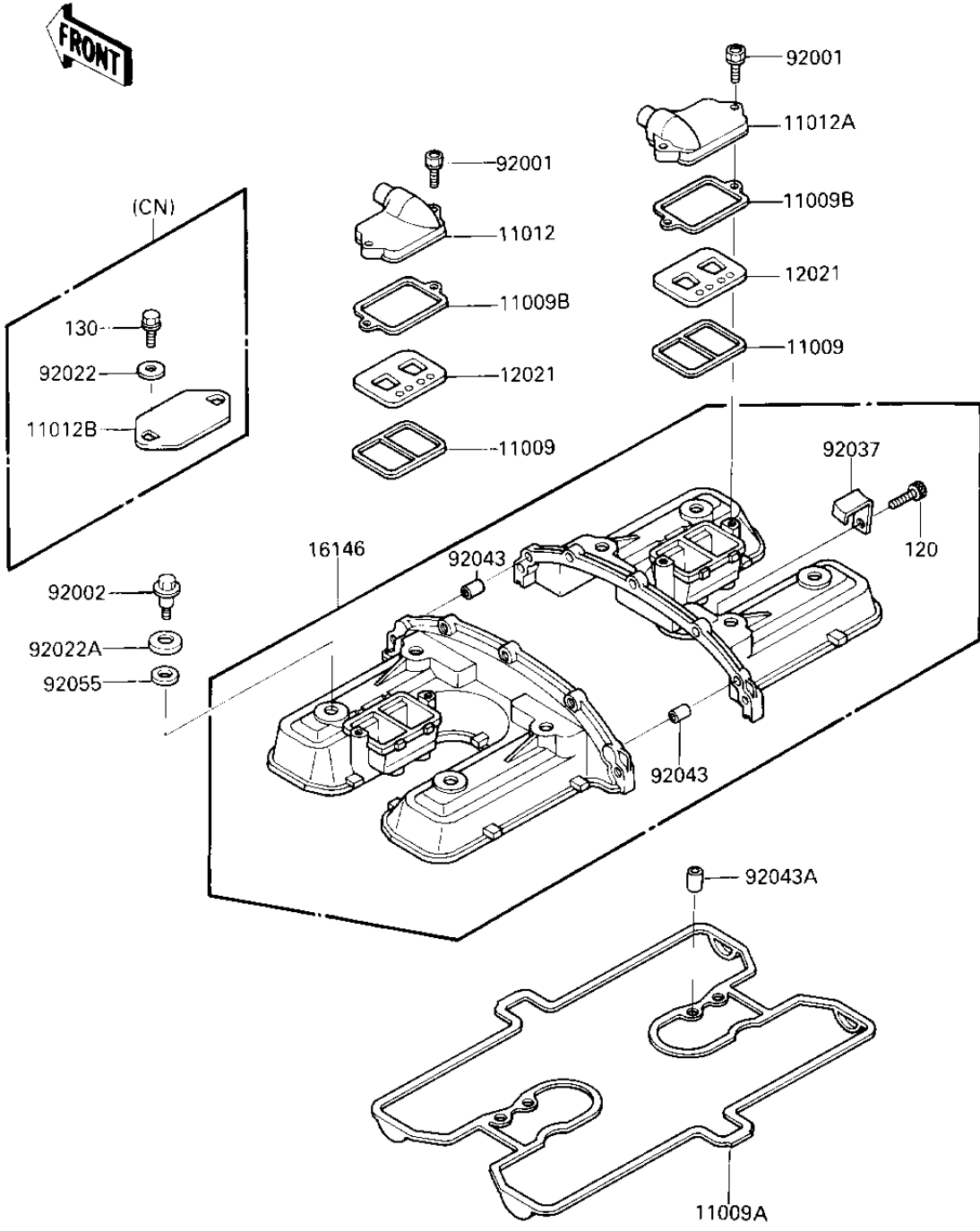


1986 Voyager XII PARTS DIAGRAM

CYLINDER HEAD COVER

EX-112 11/87



QTY	PART NO.	DESCRIPTION
1	92001	BOLT
1	11012A	FRONT COVER
1	11009B	RIGHT SIDE COVER
1	12021	RIGHT SIDE COVER GASKET
1	11009	LEFT SIDE COVER
1	11012B	FRONT COVER GASKET
1	92037	CLIP
9	120	SCREW
9	92043	PIN
9	92002	BOLT
9	92022A	WASHER
9	92055	WASHER
9	92043A	PIN
1	11009A	RIGHT SIDE COVER GASKET

1986 Voyager XII PARTS LIST

CYLINDER HEAD COVER

ITEM NAME	PART NUMBER	QUANTITY
GASKET, REED VALVE (Ref # 11009)	11009-1905	2
GASKET, CYLINDER HEAD (Ref # 11009A)	11009-1559	1
GASKET, REED VALVE (Ref # 11009B)	11009-1595	2
CAP, REED VALVE, LH (Ref # 11012)	11012-1487	1
CAP, REED VALVE, RH (Ref # 11012A)	11012-1488	1
CAP, REED VALVE (Canada) (Ref # 11012B)	11012-1530	2
VALVE-ASSY-REED (Ref # 12021)	12021-1053	2
COVER-ASSY, CYLINDER H (Ref # 16146)	16146-1067	1
BOLT, FLANGED, 6X22 (Ref # 92001)	92001-1352	4
BOLT (Ref # 92002)	92150-1447	8
WASHER 6.5X20X1.6T (Ref # 92022)	92022-125	4
WASHER, HEAD COVER BOL (Ref # 92022A)	92022-1637	8
CLAMP (Ref # 92037)	92037-1764	1
PIN, DOWEL, 4.2X6X12 (Ref # 92043)	92043-1262	2
PIN, DOWEL, 6.2X8X14 (Ref # 92043A)	92043-1263	4
RING-O, HEAD COVER BOL (Ref # 92055)	92055-1225	8
BOLT, 6X25 (Ref # 120)	120P0625	5
BOLT (Ref # 130)	130B0614	4