

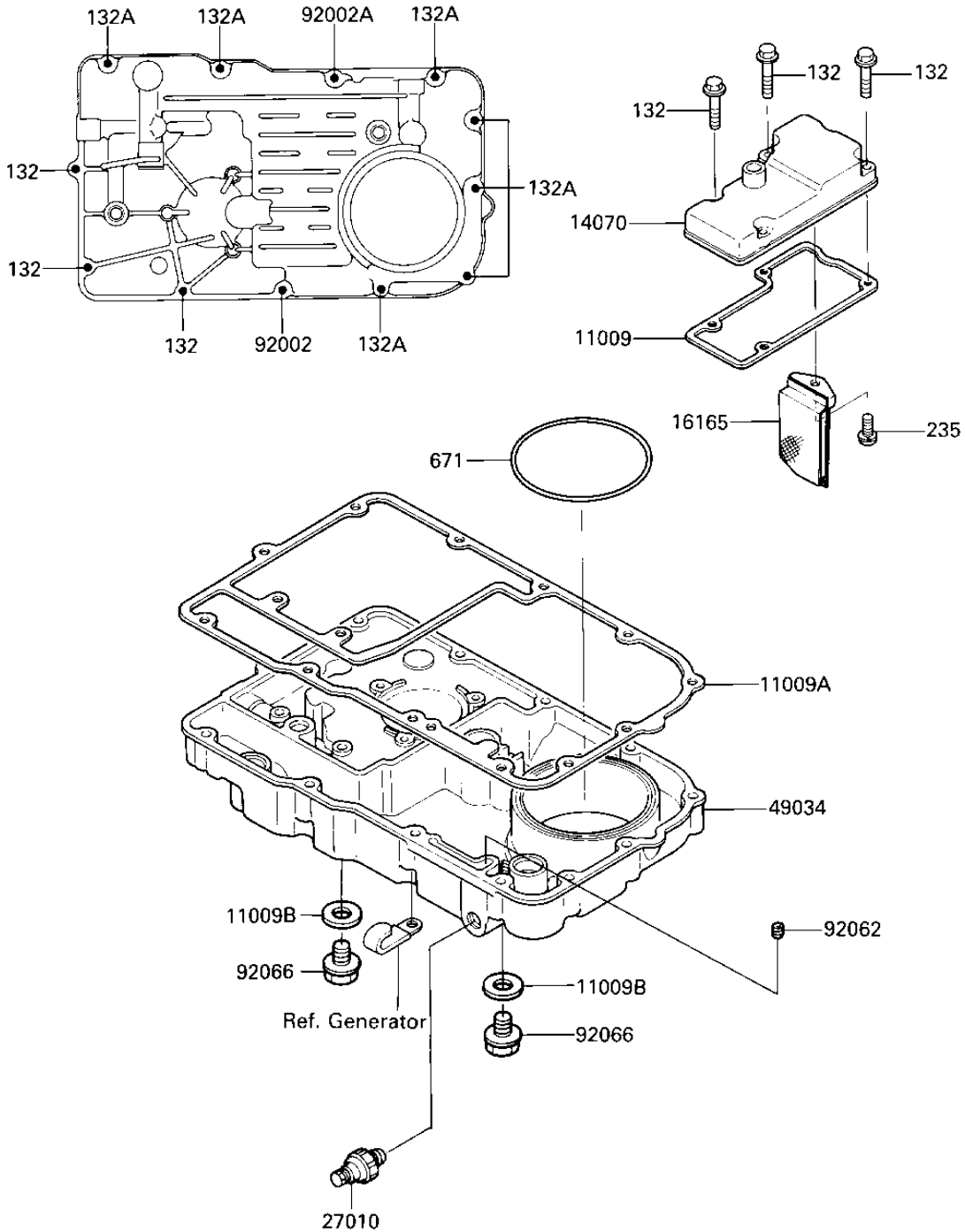
# 1986 Voyager XII PARTS DIAGRAM

## BREATHER COVER/OIL PAN

E.1432-0037



(Outside)



F  
I

- 1
- 1
- 1
- 1
- 1
- 2
- 4
- 9
- 9
- 9
- 9

# 1986 Voyager XII PARTS LIST

## BREATHER COVER/OIL PAN

ITEM NAME	PART NUMBER	QUANTITY
GASKET,BREATHER BODY (Ref # 11009)	11009-1557	1
GASKET,OIL PAN (Ref # 11009A)	11009-1558	1
GASKET,DRIN PLUG (Ref # 11009B)	92065-097	2
BODY-BREATHER (Ref # 14070)	14070-1062	1
SEPARATOR,BREATHER BO (Ref # 16165)	16165-1057	1
SWITCH,OIL PRESSURE (Ref # 27010)	27010-1155	1
PAN-OIL (Ref # 49034)	49034-1063	1
BOLT (Ref # 92002)	92002-1612	1
BOLT,6X40 (Ref # 92002A)	92002-1657	1
NOZZLE,YELLOW (Ref # 92062)	92062-1057	1
PLUG,OIL DRAIN,12X15 (Ref # 92066)	92066-1174	2
BOLT-FLANGED-SMALL (Ref # 132)	132E0625	7
BOLT-FLANGED-SMALL (Ref # 132A)	132E0640	7
SCREW-PAN-WP-CROS (Ref # 235)	235B0610	1
"O" RING,90MM (Ref # 671)	671B2590	1