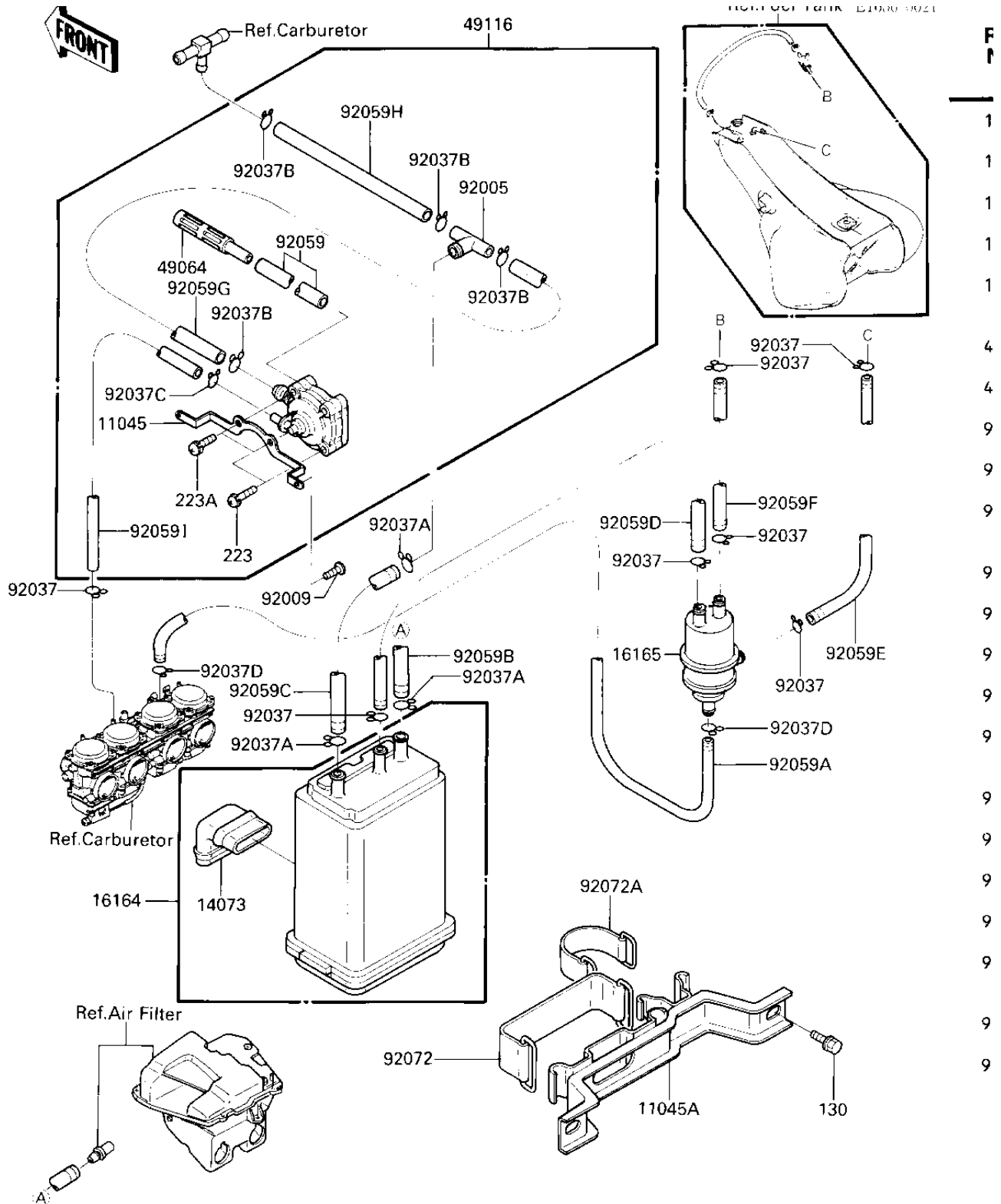


1986 Voyager XII PARTS DIAGRAM

CANISTER



1986 Voyager XII PARTS LIST

CANISTER

ITEM NAME	PART NUMBER	QUANTITY
BRACKET,VALVE (Ref # 11045)	11045-1278	1
BRACKET (Ref # 11045A)	11045-1819	1
DUCT,CANISTER (Ref # 14073)	14073-1178	1
CANISTER (Ref # 16164)	16164-1066	1
SEPARATOR (Ref # 16165)	16165-1001	1
FILTER-AIR,VALVE (Ref # 49064)	49064-1051	1
VALVE-ASSY (Ref # 49116)	49116-1066	1
FITTING,T-TYPE (Ref # 92005)	92005-1135	1
SCREW,TAPPING,5X16 (Ref # 92009)	92009-1264	1
CLAMP FUEL PIPE (Ref # 92037)	92037-010	7
CLAMP-HOSE (Ref # 92037A)	92037-1104	3
CLAMP,TUBE (Ref # 92037B)	92037-1682	4
CLAMP,TUBE (Ref # 92037C)	92037-1396	1
CLAMP (Ref # 92037D)	92037-1712	2
TUBE (Ref # 92059)	92059-1635	1
TUBE,4X9X850,WHITE (Ref # 92059A)	92059-1678	1
TUBE,7X12X700,GREEN (Ref # 92059B)	92059-1679	1
TUBE,7X12X700,YELLOW (Ref # 92059C)	92059-1680	1
TUBE,5X8X240,BLUE (Ref # 92059D)	92059-1681	1
TUBE,5X8X900,RED (Ref # 92059E)	92059-1682	1
TUBE,5X8X900,BLUE (Ref # 92059F)	92059-1683	1
TUBE,7X11X180 (Ref # 92059G)	92059-1737	1
TUBE,7X11X45 (Ref # 92059H)	92059-1738	1
TUBE,3.5X7.5X300 (Ref # 92059I)	92059-1739	1
BAND BATTERY (Ref # 92072)	92072-006	1
BAND,TOOL (Ref # 92072A)	92072-066	1
BOLT,FLANGED,6X10 (Ref # 130)	130B0610	2
SCREW-PAN-WS-CROS (Ref # 223)	223C0416	2
CASCREW-PAN-WS-CROS (Ref # 223A)	223C0418	2