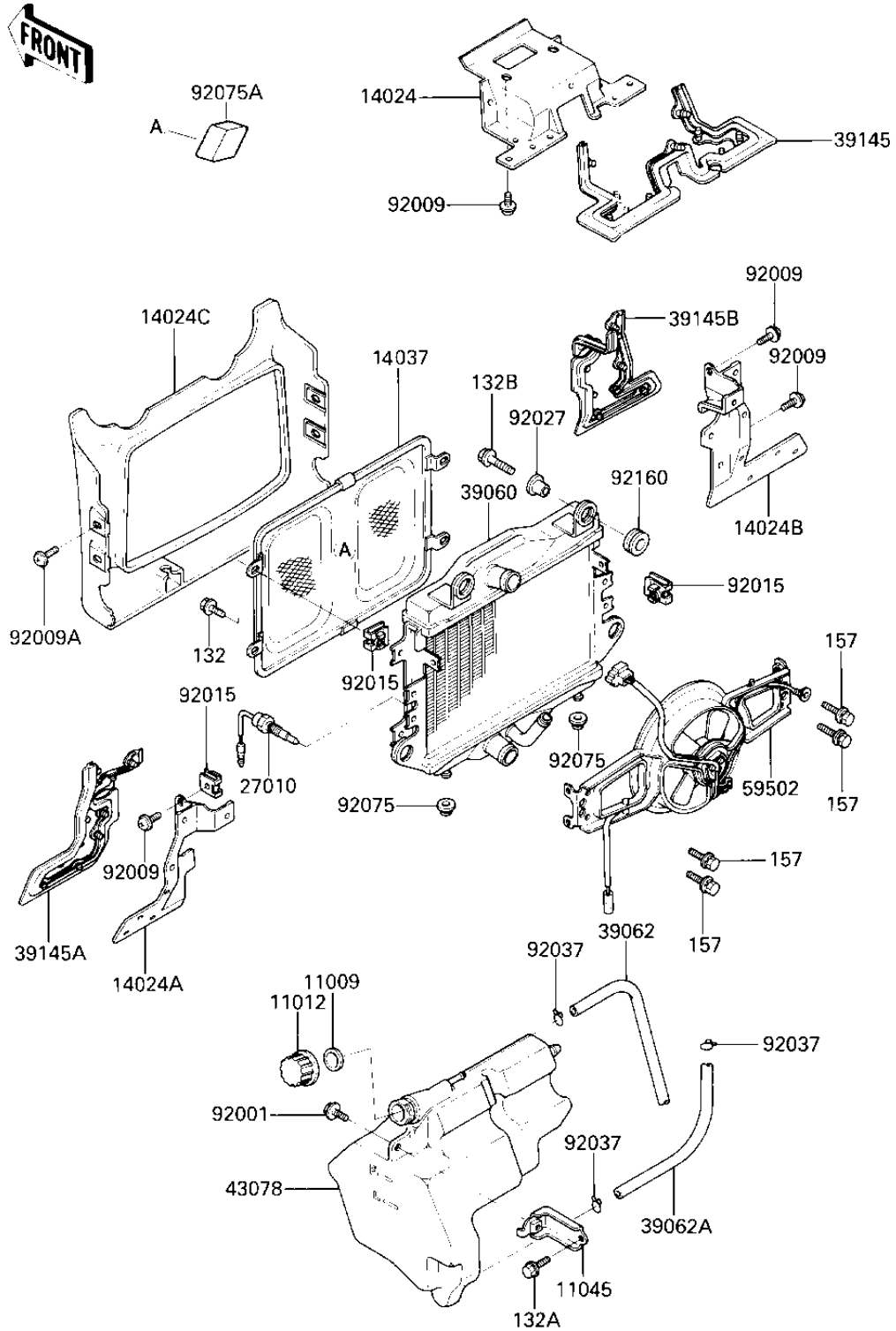


1986 Voyager XII PARTS DIAGRAM

RADIATOR/FAN/COOLANT TANK



I

1986 Voyager XII PARTS LIST

RADIATOR/FAN/COOLANT TANK

| ITEM NAME | PART NUMBER | QUANTITY |
|--------------------------------------|---------------|----------|
| GASKET,RESERVE TANK (Ref # 11009) | 11009-1145 | 1 |
| CAP,RESERVE TANK (Ref # 11012) | 11012-1084 | 1 |
| BRACKET,RESERVOIR (Ref # 11045) | 11044-1744 | 1 |
| COVER,RADIATOR UPP (Ref # 14024) | 14024-1158 | 1 |
| COVER,RADIATOR,LH (Ref # 14024A) | 14024-1159 | 1 |
| COVER,RADIATOR,RH (Ref # 14024B) | 14024-1160 | 1 |
| COVER,RADIATOR,L.V.RE (Ref # 14024C) | 14024-1293-P5 | 1 |
| SCREEN (Ref # 14037) | 14037-1076 | 1 |
| SWITCH,FAN (Ref # 27010) | 27010-1180 | 1 |
| RADIATOR (Ref # 39060) | 39060-1066 | 1 |
| HOSE-COOLING,RESERVOI (Ref # 39062) | 39062-1220 | 1 |
| HOSE-COOLING,5.5X10.5 (Ref # 39062A) | 39062-1155 | 1 |
| TRIM-SEAL (Ref # 39145) | 39145-1061 | 1 |
| TRIM-SEAL,COVER,LH (Ref # 39145A) | 39145-1063 | 1 |
| TRIM-SEAL,COVER,RH (Ref # 39145B) | 39145-1065 | 1 |
| RESERVOIR (Ref # 43078) | 43078-1067 | 1 |
| FAN-ASSY (Ref # 59502) | 59502-1060 | 1 |
| BOLT,W/WASHER,6X12 (Ref # 92001) | 92001-1516 | 1 |
| SCREW (Ref # 92009) | 92009-1663 | 6 |
| SCREW,6X14 (Ref # 92009A) | 92009-1288 | 4 |
| NUT (Ref # 92015) | 92015-1487 | 6 |
| COLLAR,FUEL TANK FITT (Ref # 92027) | 92027-1134 | 4 |
| CLAMP,CHAIN OILER (Ref # 92037) | 92037-147 | 3 |
| DAMPER,RADIATOR GUARD (Ref # 92075) | 92075-1469 | 2 |
| DAMPER (Ref # 92075A) | 92075-1981 | 1 |
| DAMPER (Ref # 92160) | 92160-1007 | 4 |
| BOLT-FLANGED-SMALL,6X (Ref # 132) | 132J0610 | 4 |
| BOLT-FLANGED-SMALL (Ref # 132A) | 132J0612 | 1 |
| BOLT-FLANGED-SMALL (Ref # 132B) | 132J0825 | 4 |

1986 Voyager XII PARTS LIST

RADIATOR/FAN/COOLANT TANK

| ITEM NAME | PART NUMBER | QUANTITY |
|----------------------|-------------|----------|
| BOLT-WSP (Ref # 157) | 157J0612 | 4 |