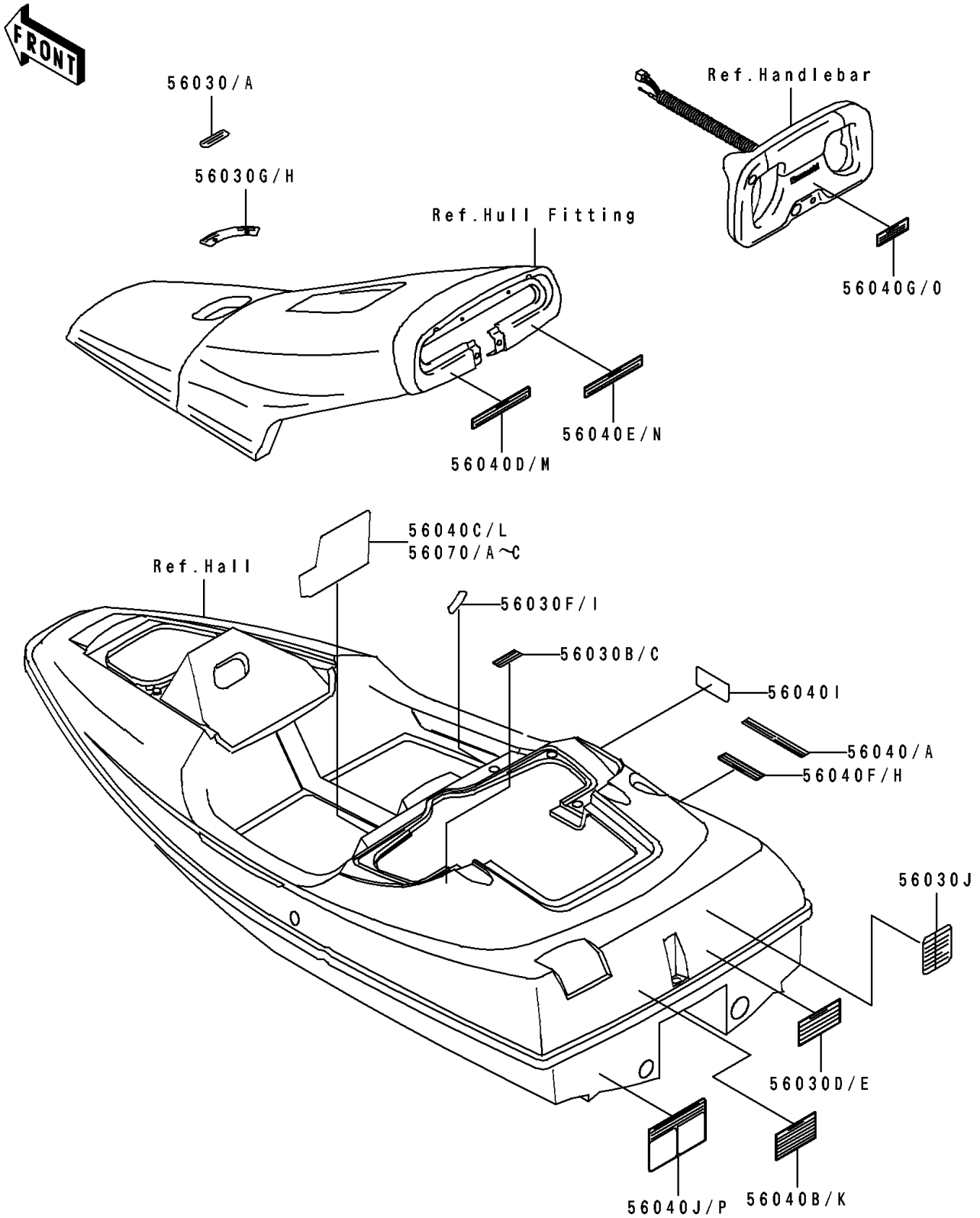


# 1992 SC PARTS DIAGRAM

Labels

F 3183



# 1992 SC PARTS LIST

Labels

ITEM NAME	PART NUMBER	QUANTITY
-----------	-------------	----------