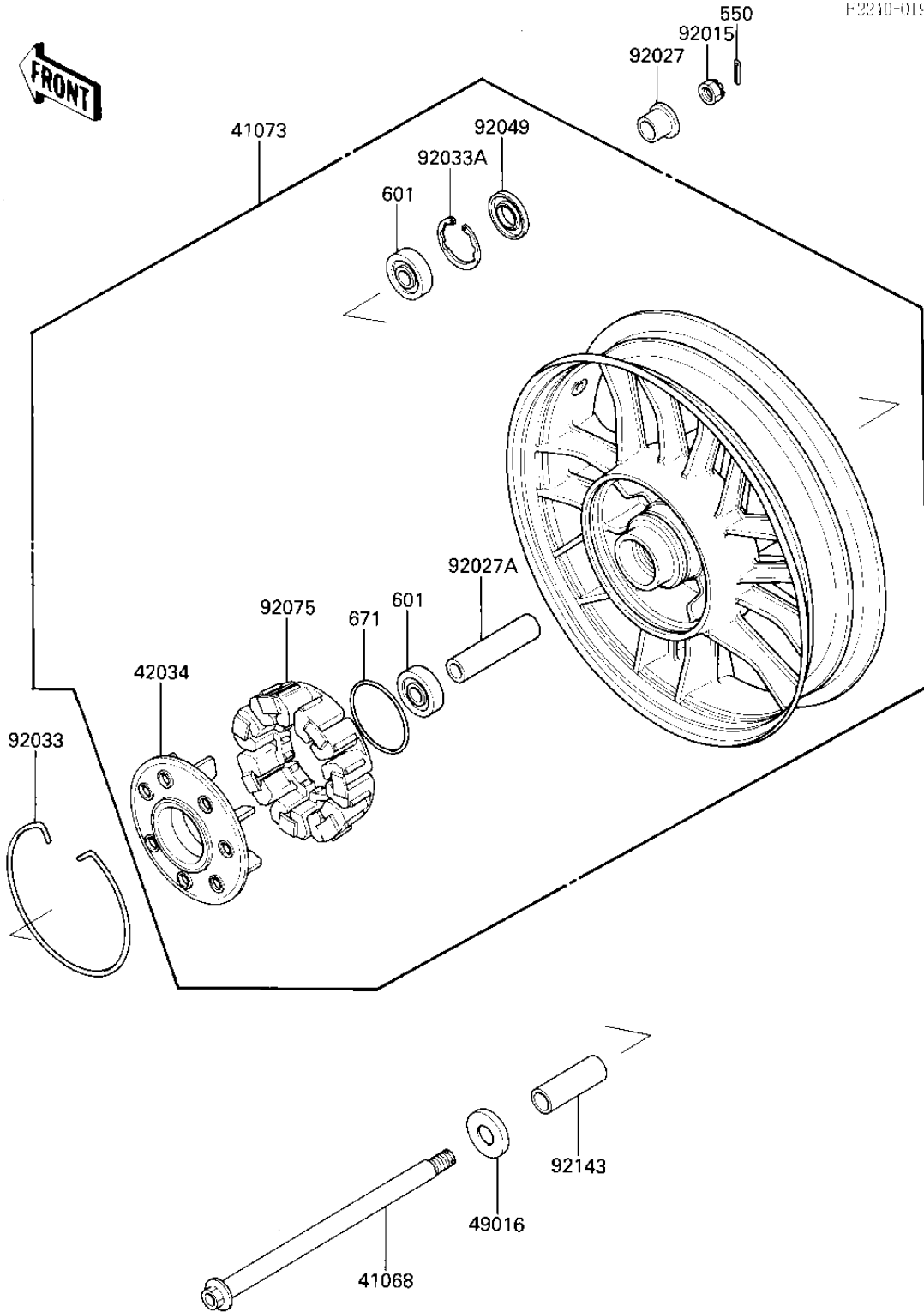


# 1986 Voyager XII PARTS DIAGRAM

REAR WHEEL/HUB

F2210-0193



F  
I  
4  
4  
4  
4  
9  
9  
9  
9  
9  
9  
9

I

# 1986 Voyager XII PARTS LIST

## REAR WHEEL/HUB

ITEM NAME	PART NUMBER	QUANTITY
AXLE,RR (Ref # 41068)	41068-1197	1
WHEEL-ASSY,RR,M.GRAY (Ref # 41073)	41073-1322-V8	1
COUPLING,REAR HUB (Ref # 42034)	42034-1011	1
COVER (Ref # 49016)	49016-1019	1
NUT CASTLE,18MM (Ref # 92015)	42045-018	1
COLLAR,RR AXLE,L=20 (Ref # 92027)	92027-1792	1
COLLAR,20.2X28X105.5 (Ref # 92027A)	92027-1901	1
RING,SNAP (Ref # 92033)	92033-1019	1
RING,SNAP,56.2M/M (Ref # 92033A)	92033-1043	1
SEAL-OIL (Ref # 92049)	92049-1061	1
DAMPER,REAR HUB,SHOCK (Ref # 92075)	92075-1121	1
COLLAR,20.2X28X86 (Ref # 92143)	92027-1969	1
PIN-COTTER,4.0X35 (Ref # 550)	550D4035	1
BEARING,BALL,#6304ZZ (Ref # 601)	601B6304ZZ	2
"O" RING,80MM (Ref # 671)	671B2580	1